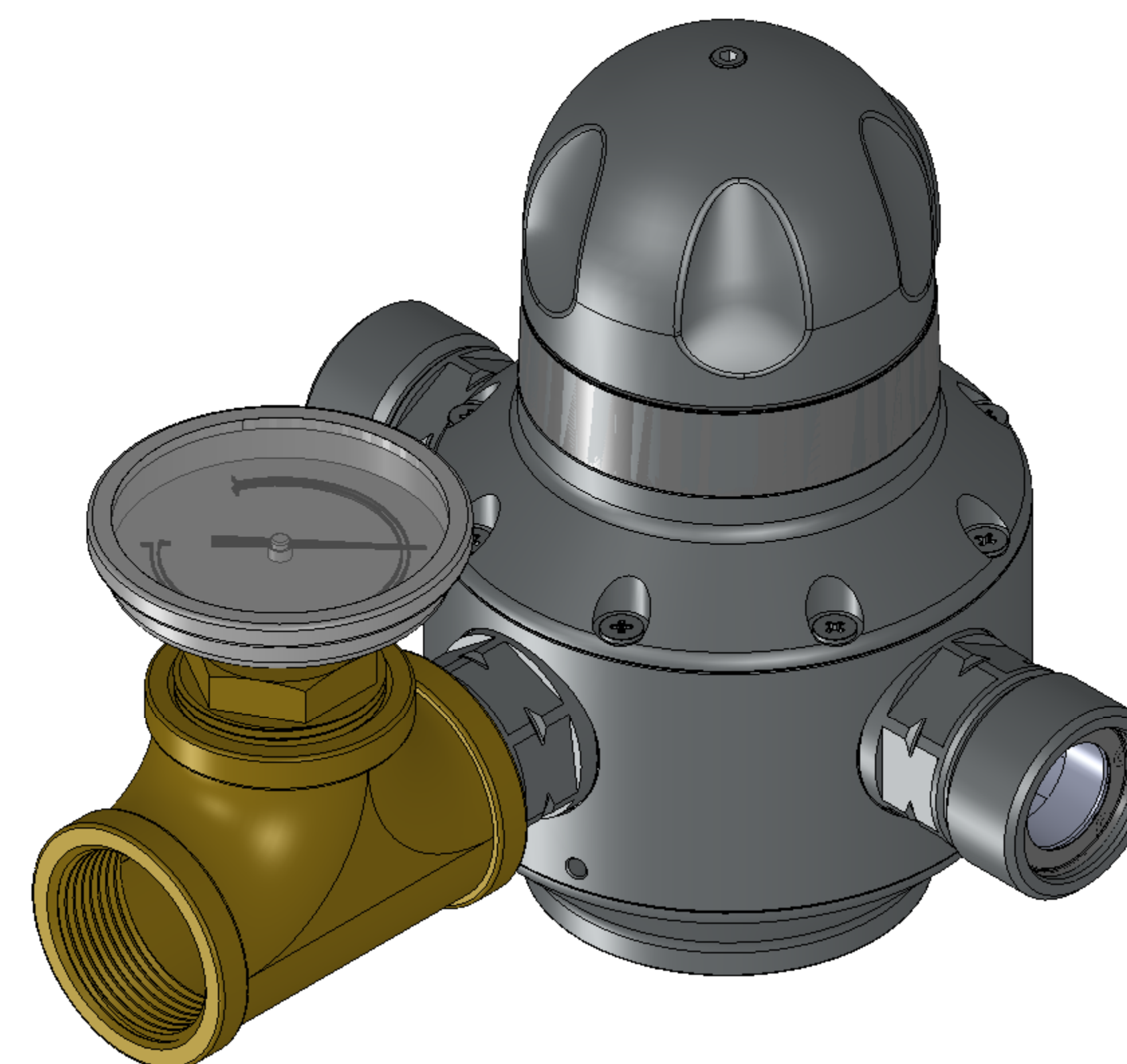
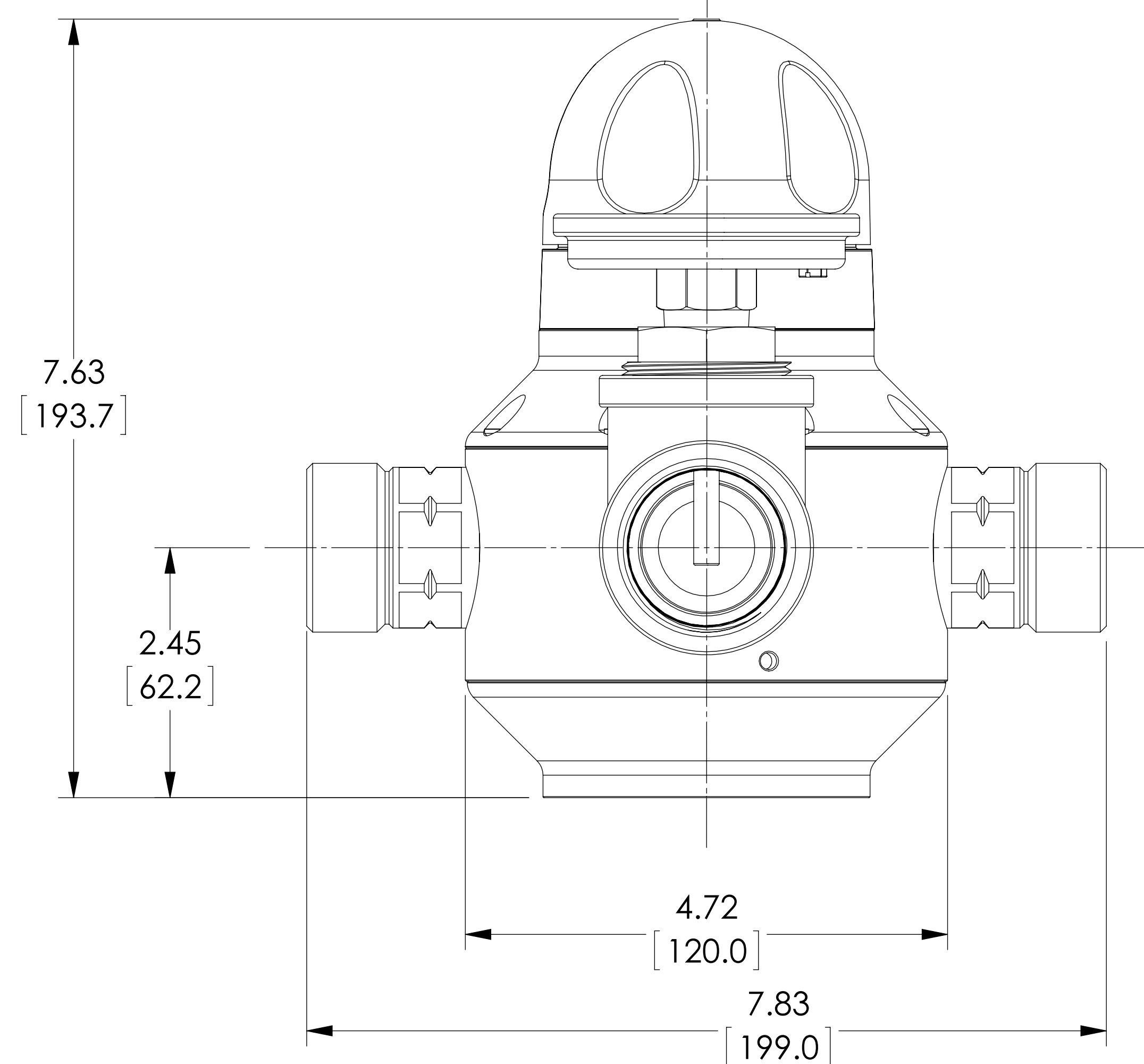
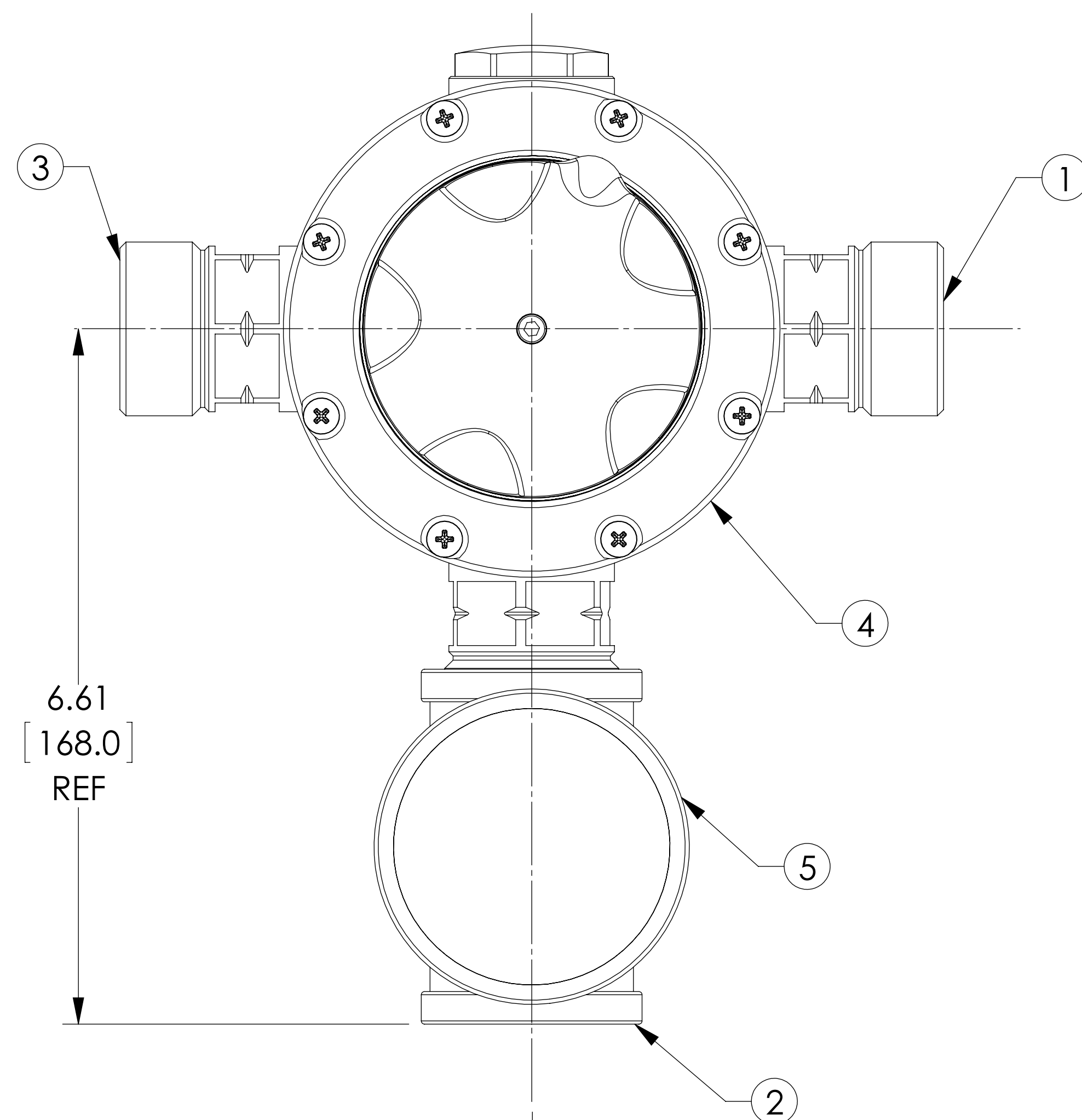


APPROVAL

BY: _____ DATE: _____

- APPROVED, PROCEED WITH FABRICATION
- APPROVED AS NOTED, PROCEED WITH FABRICATION IN ACCORDANCE WITH COMMENTS
- DISAPPROVED, DO NOT FABRICATE



PROJECT NAME:

TAG:

ITEM	DESCRIPTION	CONNECTION
1	HOT WATER INLET	1-1/4" NPT
2	MIXED WATER OUTLET	1-1/4" NPT
3	COLD WATER INLET	1-1/4" NPT
4	425D VALVE	1-1/4" NPT
5	THERMOMETER	

NOTE:
 1. ARMSTRONG PART NUMBER: D77388
 2. CONSUMABLE WATER CONTAINS LESS THAN ONE QUARTER OF ONE PERCENT (0.25%) OF LEAD BY WEIGHT.

DO NOT SCALE DRAWING	
TOLERANCES UNLESS OTHERWISE SPECIFIED	
DIMENSIONING ENGLISH [mm]	
FRACTIONAL ± 1/64	
ANGULAR: ± 2	
DECIMAL	IN. MM
.XXXX ± .0005	-----
.XXX ± .005	.010
.XX ± .015	.10
.X	.3

		NAME	DATE
DRAWN	Lucas Wilkins	11/20/2015	
RELEASED			

ARMSTRONG INTERNATIONAL Copyright © 2010 ARMSTRONG INTERNATIONAL, INC.	
Z358-40 1-1/4 NPT	
MATERIAL	SHEET 1 OF 1
CN49260	REV A DWG. SALES