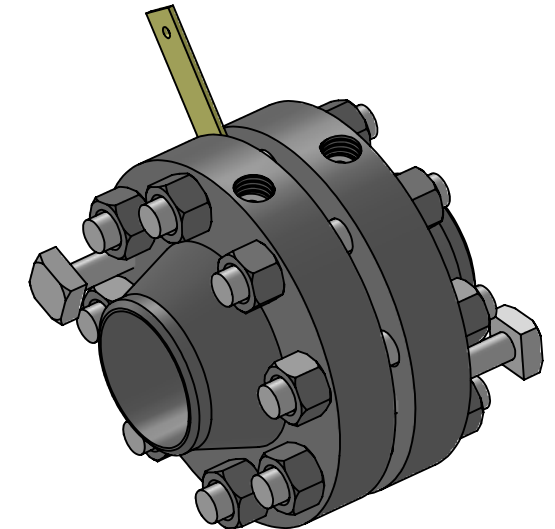
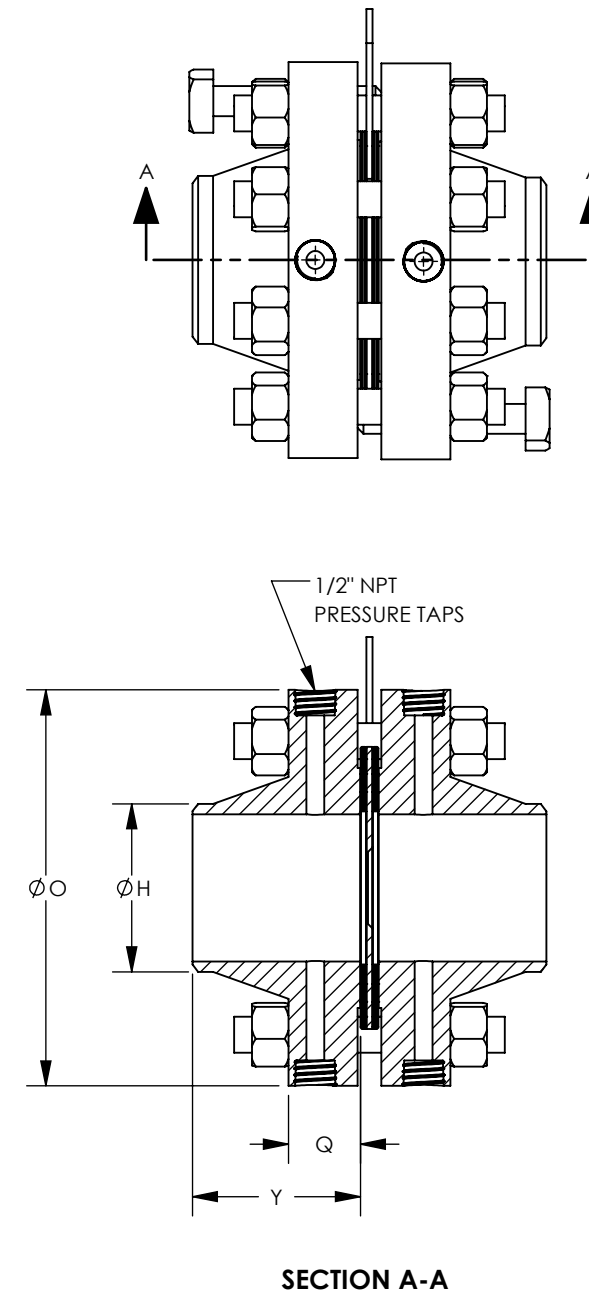


REVISIONS			
REV.	DESCRIPTION	DRAWN	DATE
B	CORRECTED Q AND Y DIMENSIONS	VSC	8/7/2018
C	UPDATED ADDRESS	MS	1/15/2020
D	ADDED 0.75 NOMINAL PIPE SIZE	FJ	9/28/2020

CLASS 300						
NOMINAL PIPE SIZE	OUTSIDE DIAMETER O	DIAMETER AT WELDING POINT H	FLANGE THICKNESS Q	LENGTH THROUGH HUB Y	NUMBER OF HOLES	DIAMETER OF BOLTS
0.75	4.62	1.05	1.44	3.06	4	5/8
1	4.88	1.32	1.44	3.19	4	5/8
1.5	6.12	1.90	1.44	3.31	4	3/4
2	6.50	2.38	1.44	3.31	8	5/8
3	8.25	3.50	1.44	3.44	8	3/4
4	10.00	4.50	1.44	3.56	8	3/4
6	12.50	6.63	1.44	3.88	12	3/4
8	15.00	8.63	1.56	4.31	12	7/8
10	17.50	10.75	1.81	4.56	16	1
12	20.50	12.75	1.94	5.06	16	1 1/8
14	23.00	14.00	2.06	5.56	20	1 1/8
16	25.50	16.00	2.19	5.69	20	1 1/4
18	28.00	18.00	2.31	6.19	24	1 1/4
20	30.50	20.00	2.44	6.31	24	1 1/4
24	36.00	24.00	2.69	6.56	24	1 1/2
			Q AND Y INCLUDES RAISED FACE			

CLASS 600						
NOMINAL PIPE SIZE	OUTSIDE DIAMETER O	DIAMETER AT WELDING POINT H	FLANGE THICKNESS Q	LENGTH THROUGH HUB Y	NUMBER OF HOLES	DIAMETER OF BOLTS
0.75	4.62	1.05	1.44	3.31	4	5/8
1	4.88	1.32	1.50	3.25	4	5/8
1.5	6.12	1.90	1.50	3.38	4	3/4
2	6.50	2.38	1.50	3.38	8	5/8
3	8.25	3.50	1.50	3.50	8	3/4
4	10.75	4.50	1.75	4.25	8	7/8
6	14.00	6.63	2.12	4.88	12	1
8	16.50	8.63	2.44	5.50	12	1 1/8
10	20.00	10.75	2.75	6.25	16	1 1/4
12	22.00	12.75	2.88	6.38	20	1 1/4
			Q AND Y INCLUDES RAISED FACE			



UNLESS OTHERWISE SPECIFIED DIMENSIONS ARE IN INCHES	 VERIS Flow Measurement Group armstronginternational.com/veris	ORIFICE FLANGES WELDING NECK, CLASS 300 & 600	
		DATE: 9/28/2020 SCALE: NTS	DWG. NO. SUB-8189 REV: D PAGE 1 OF 1
5820 Glacier Way Frederick, CO 80516 USA		Phone: (303) 652-8550 Fax: (303) 652-8552	