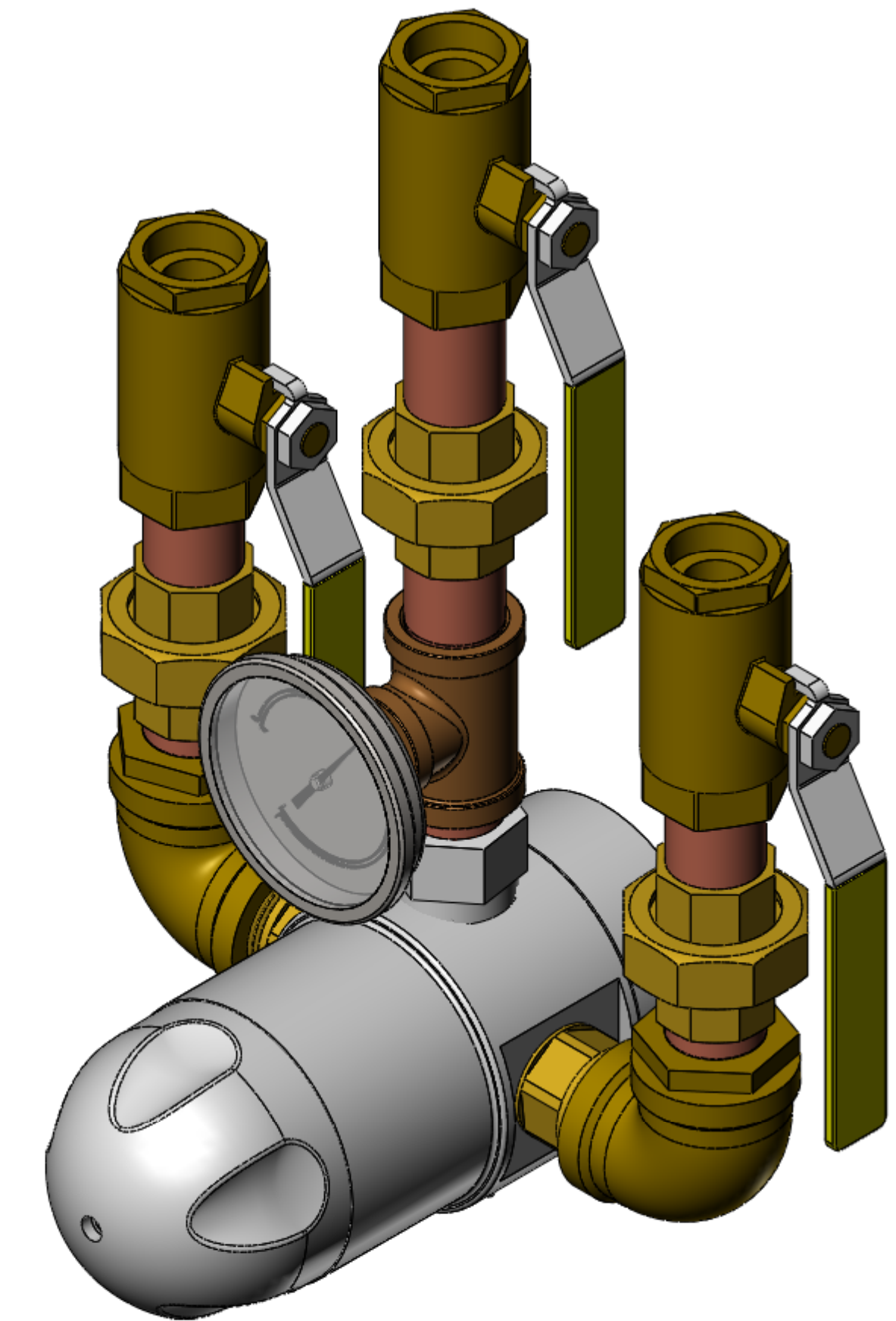
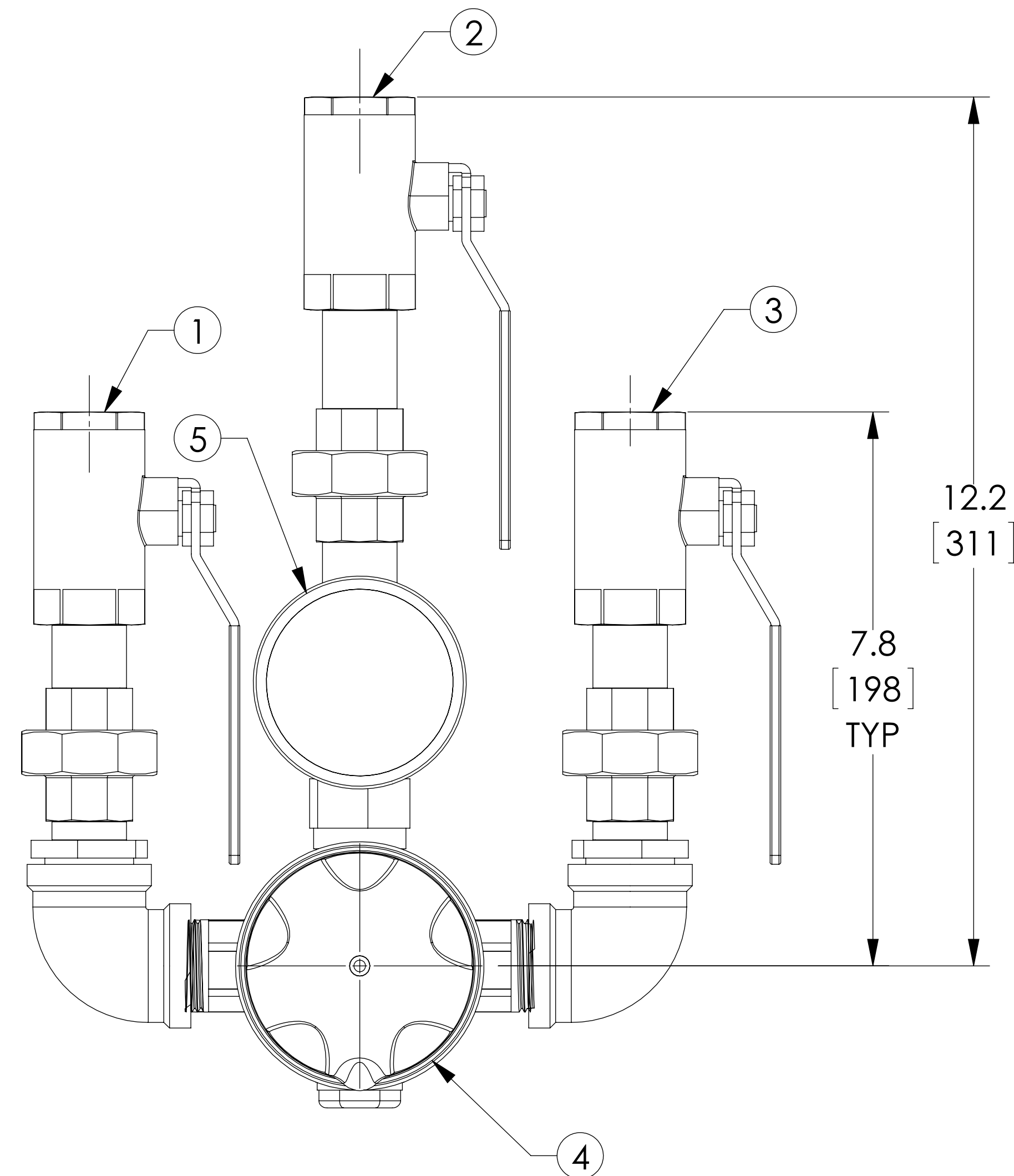
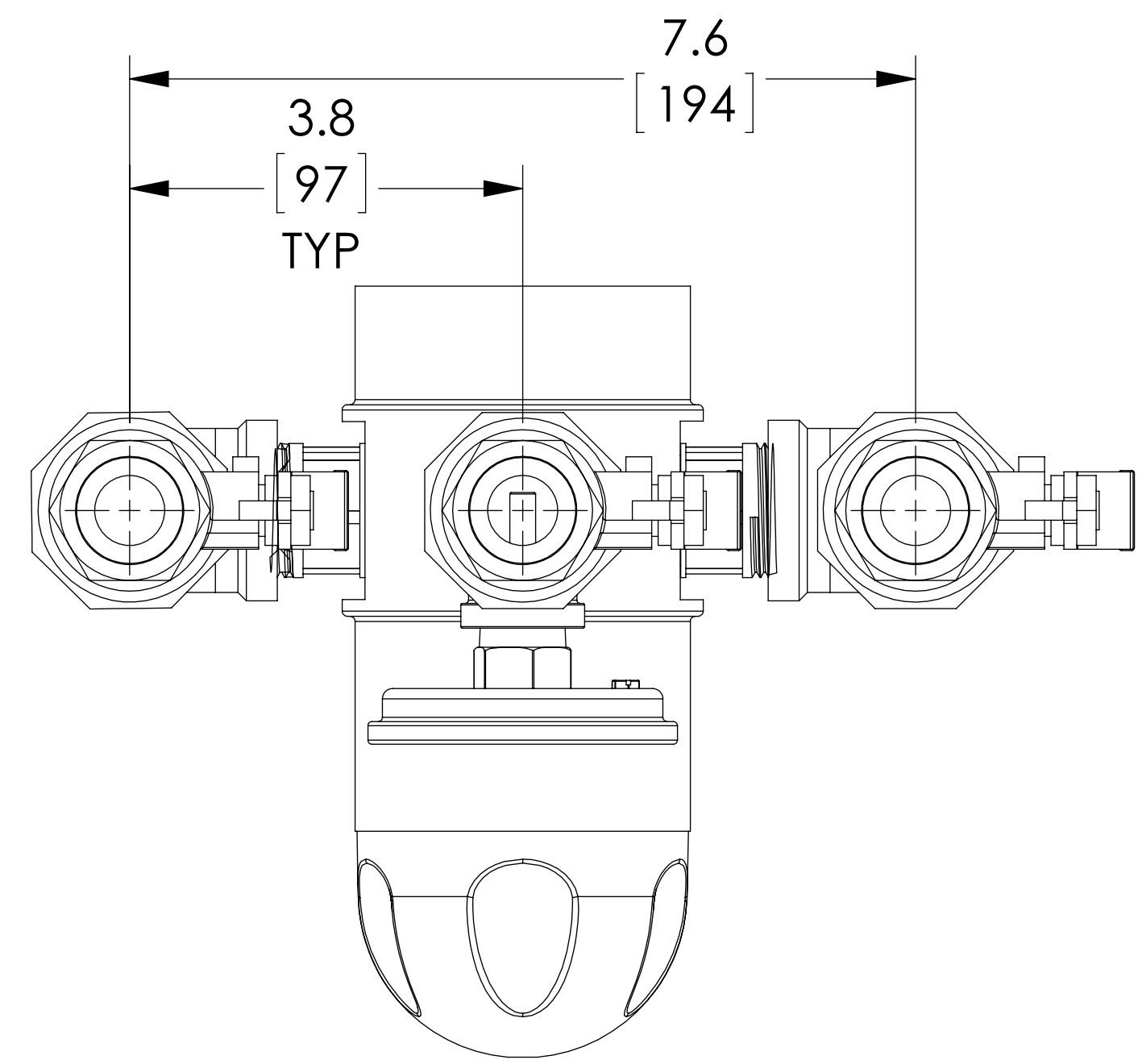


APPROVAL

BY: _____ DATE: _____

- APPROVED, PROCEED WITH FABRICATION
- APPROVED AS NOTED, PROCEED WITH FABRICATION IN ACCORDANCE WITH COMMENTS
- DISAPPROVED, DO NOT FABRICATE



ITEM	DESCRIPTION	CONNECTION
1	HOT WATER INLET	3/4" NPT
2	MIXED WATER OUTLET	3/4" NPT
3	COLD WATER INLET	3/4" NPT
4	320 VALVE	1" NPT
5	THERMOMETER	

NOTE(S):

1. ALL DIMENSIONS +/- .3[8] UNLESS OTHERWISE SHOWN.
2. PACKAGE INCLUDES ALL REQUIRED INLET CHECK VALVES AND STRAINERS ON DOMESTIC SIDE.
3. REFERENCE ARMSTRONG DRAWING D61051

DO NOT SCALE DRAWING			
TOLERANCES UNLESS OTHERWISE SPECIFIED			
DIMENSIONING ENGLISH [mm]			
FRACTIONAL ± 1/64			
ANGULAR: ± 2			
DECIMAL	.XXX ± .005	.XX ± .015	.X ± .3
	IN.	MM	

NAME	DATE
DILLIBABU	04/30/2014
DRAWN	
RELEASED	

ARMSTRONG INTERNATIONAL Copyright © 2010 ARMSTRONG INTERNATIONAL, INC.	
320D LF	
MATERIAL	SHEET 1 OF 1
CN42721	REV C DWG. SALES