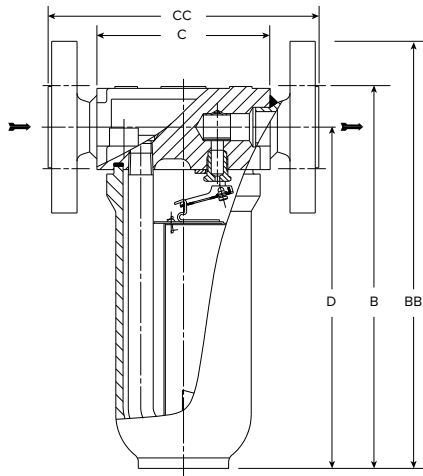




EM Inverted Bucket Steam Trap

Forged Carbon Steel for Horizontal Installation

For Pressures to 32 bar... Capacities to 480 kg/h



Steam Trapping and Steam Tracing Equipment

Description

Armstrong's type EM forged steel inverted bucket steam trap combines the most reliable steam trap operating principle known in a body, which can be opened for Easy Maintenance.

- High resistance to wear, corrosion and water hammer.
- The free-floating guided lever valve mechanism is "friction less" with all wear points heavily reinforced. All working parts are stainless steel; valve and seat are hardened chrome steel, individually ground and lapped.
- Freedom from dirt problems. Condensate flow under bottom edge of bucket keeps sediment and "sludge" in suspension until discharged by full differential purging action. Valve orifice opens wide - closes tight. There is no buildup of dirt, no close clearances to be affected by scale. Under normal conditions of reasonably "clean steam", a strainer is not necessary. However, this is left to the user's discretion.
- Air handling ability. Vent in bucket top provides continuous automatic air and CO₂ venting with no cooling leg and prevents air binding. Wiggle wire ensures clean vent hole at all times. Any steam passing through vent is condensed and discharged as liquid.
- No steam loss. Steam does not reach the water-sealed valve.
- Inverted bucket traps require no adjustment and no live steam to operate.

Maximum operating conditions

Maximum allowable pressure (vessel design)†: 32 bar - 250°C
 Maximum operating pressure: 32 bar
 Maximum back pressure: 99% of inlet pressure

Connections

Screwed BSPT and NPT
 Socketweld
 Flanged DIN or ANSI (welded)

Materials

Body: Forged carbon steel
 Internals: All stainless steel – 304
 Valve and seat: Stainless Steel 17-4PH
 Gasket: Spiral wounded graphite
 Bolts: 24 CrMo5

Options

- Bucket vent scrubbing wire for heavy dirt/oil conditions
- Large vent 17 bar maximum

Specification

Inverted bucket steam trap, type EM in forged steel, with automatic air vent, free-floating lever mechanism, with the orifice in the top. Maximum allowable back pressure 99% of inlet pressure.

How to order

Specify:

- Size and type of pipe connection
- Maximum working pressure that will be encountered or orifice size
- Maximum condensate load
- Any options required

Table ST-92-1. Model EM Side Inlet, Side Outlet Trap (dimensions in mm)

Pipe Connections	15	20	25
"C" Face-to-Face (screwed & SW)	98	98	—
"CC" Face-to-Face (flanged PN40*)	150	150	160
"D" Bottom to \varnothing Inlet	189	189	189
"B" Height (screwed & SW)	210	210	—
"BB" Height (flanged PN40*)	235	240	245
Weight in kg (screwed & SW)	3,1	3,1	—
Weight in kg (flanged PN40*)	5,5	7,1	8,1

* Other flange sizes, ratings and face-to-face dimensions are available on request.

All sizes comply with the Article 4.3 of the PED (2014/68/UE).

† May be derated depending on flange rating and type.

All dimensions and weights are approximate. Use certified print for exact dimensions. Design and materials are subject to change without notice.

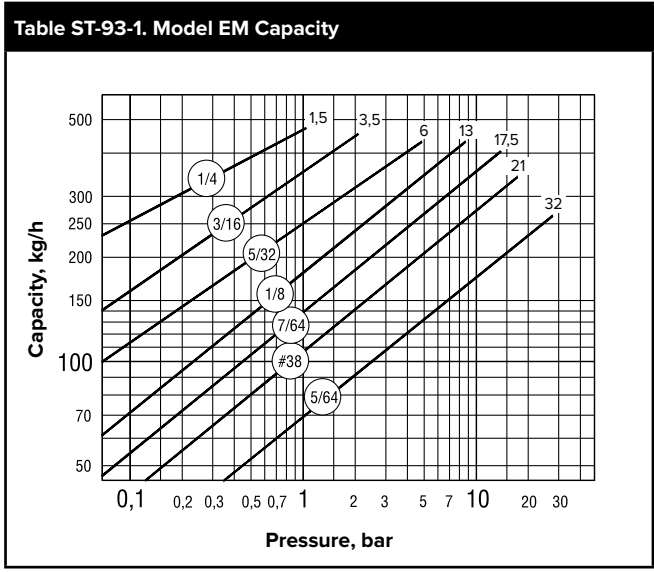
EM Inverted Bucket Steam Trap

Forged Carbon Steel for Horizontal Installation

For Pressures to 32 bar... Capacities to 480 kg/h



Steam Trapping and
Steam Tracing Equipment



All dimensions and weights are approximate. Use certified print for exact dimensions. Design and materials are subject to change without notice.