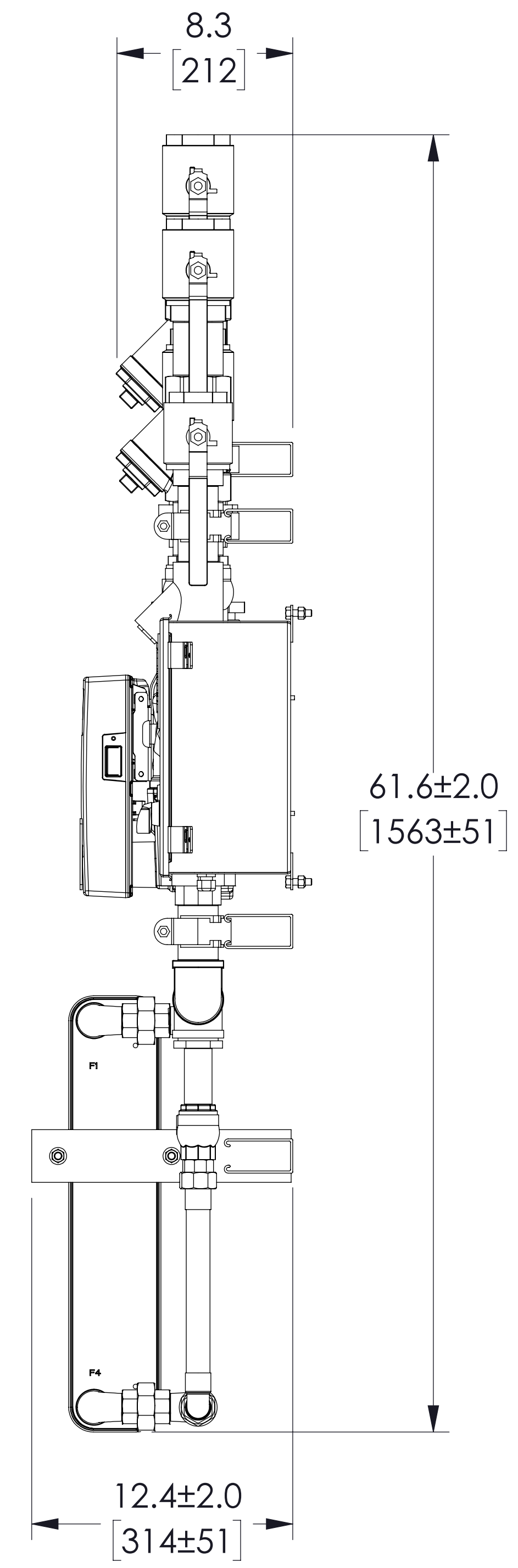


APPROVAL

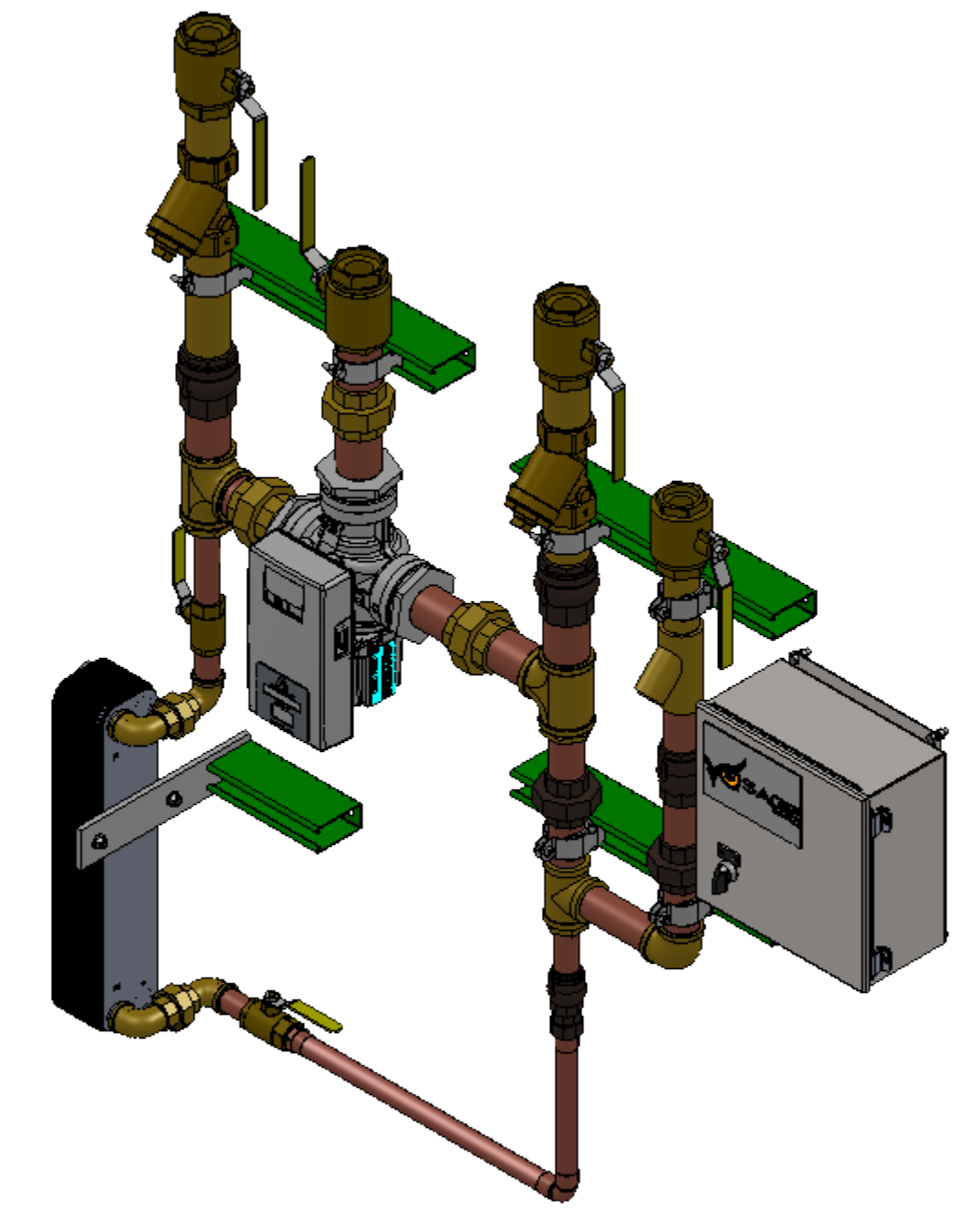
BY: _____ DATE: _____

- APPROVED, PROCEED WITH FABRICATION
- APPROVED AS NOTED, PROCEED WITH FABRICATION IN ACCORDANCE WITH COMMENTS
- DISAPPROVED, DO NOT FABRICATE



Zone Reheat System Typical Parameters			Custom
DRV System Set Point	129	134	
Recirc ΔT	5	10	
Recirc Temp	124	124	
Recirc Flow	14	8	
Recirc Reheat Flow	10	6.67	
Recirc Reheat Temp	131	136	
Recirc Reheat Press Drop	2.18	0.98	
PHE Supply Flow	7.01	8.01	
PHE Supply Temp	140	140	
PHE Supply Return Temp	130	130	
PHE Supply Press Drop	1.22	1.59	

*Assumes Avg. of 4 floors, 3080' of 1.5" dia. Pipe for building size



ITEM	DESCRIPTION	QTY	CONNECTION
1	COLD WATER INLET	1	2" NPT
2	MIXED WATER OUTLET	1	2" NPT
3	HOT WATER INLET	1	2" NPT
4	RECIRC RETURN INLET	1	1-1/2" NPT
5	DRV50	1	2" NPT
6	PHE	1	
7	PRIMARY INLET	1	1" NPT
8	PRIMARY OUTLET	1	1" NPT
9	ELECTRICAL PANEL/SAGE	1	110VAC @ 0.7A
	ITEM		
	PIPING		COPPER TYPE "L"

- NOTES:
- ALL DIMENSIONS +/-0.5 [13] UNLESS OTHERWISE SHOWN
 - COMPLETE ASSEMBLY LEAD FREE COMPLIANT - THE WETTED SURFACE OF THIS PRODUCT CONTACTED BY CONSUMABLE WATER CONTAINS LESS THAN ONE QUARTER OF ONE PERCENT (0.25%) OF LEAD BY WEIGHT
 - PACKAGE INCLUDES ALL REQUIRED INLET CHECK VALVES AND STRAINERS ON DOMESTIC SIDE
 - DRV AND ELECTRICAL PANEL ARE PREWIRED TO PROVIDE A SINGLE ELECTRICAL LANDING POINT AT THE PANEL.
 - REFERENCE ARMSTRONG PART NO. D133262

DO NOT SCALE DRAWING TOLERANCES UNLESS OTHERWISE SPECIFIED	
DIMENSIONING ENGLISH [mm]	
FRACTIONAL ± 1/64	
ANGULAR: ± 2	
DECIMAL	
.XXX ± .005	.010
.XX ± .015	.10
.X	.3

NAME	DATE
Prabhu R	02/22/2021
DRAWN	
RELEASED	

ARMSTRONG INTERNATIONAL
Copyright © 2010 ARMSTRONG INTERNATIONAL, INC.

DMC50BS FLEX PHE-415-32 2 NPT 2 NPT 1-1/2 NPT CPR

MATERIAL	CN74170	REV A	DWG.	SALES
----------	---------	-------	------	-------

SHEET 1 OF 1