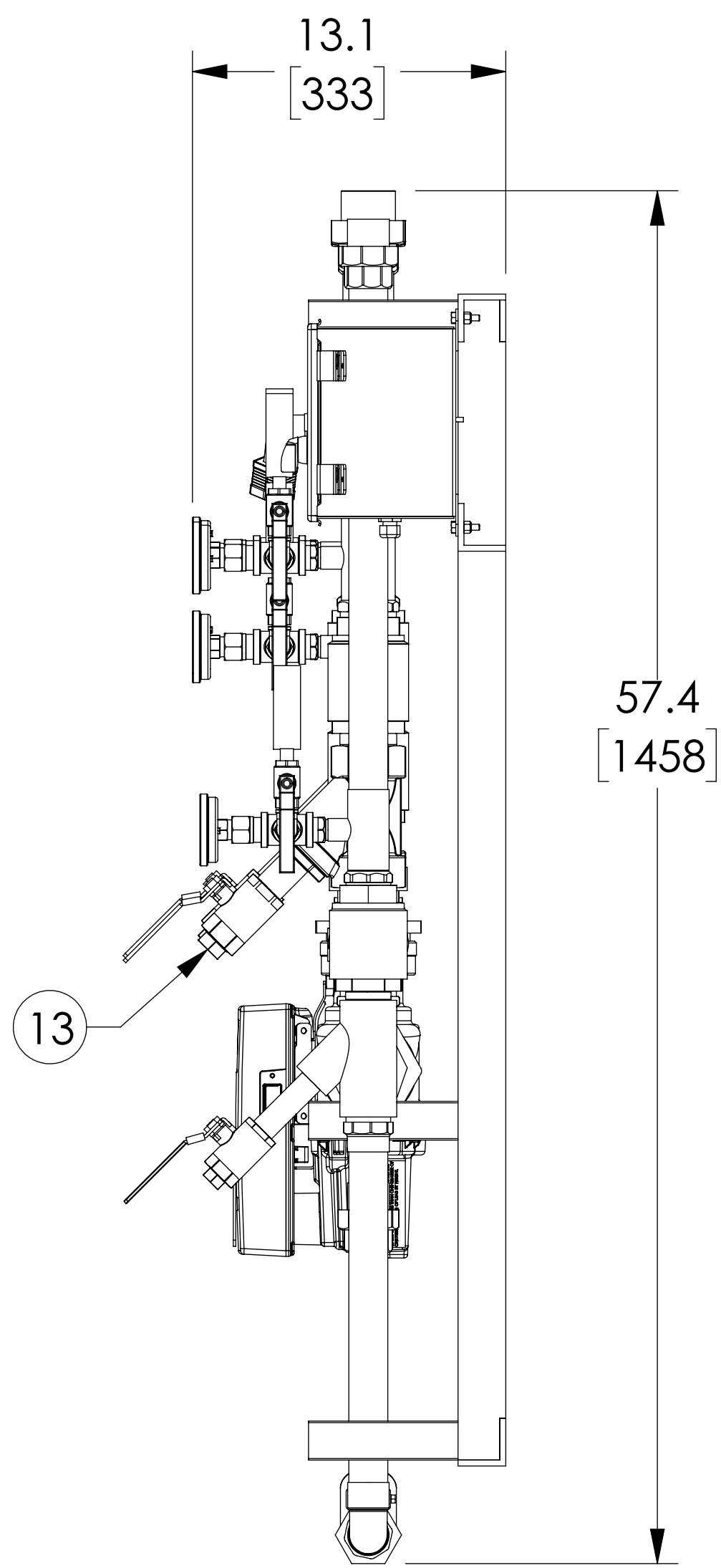
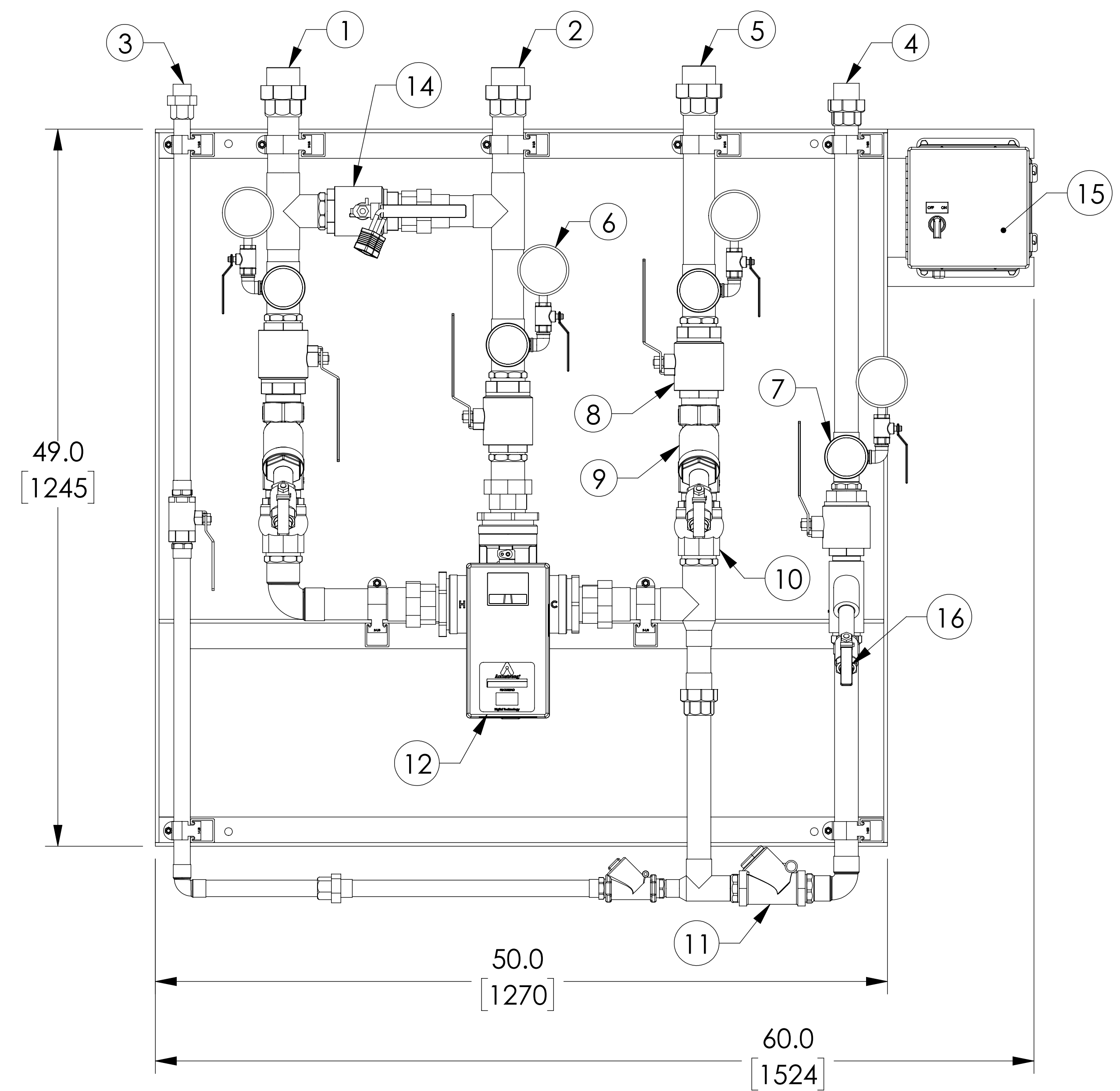
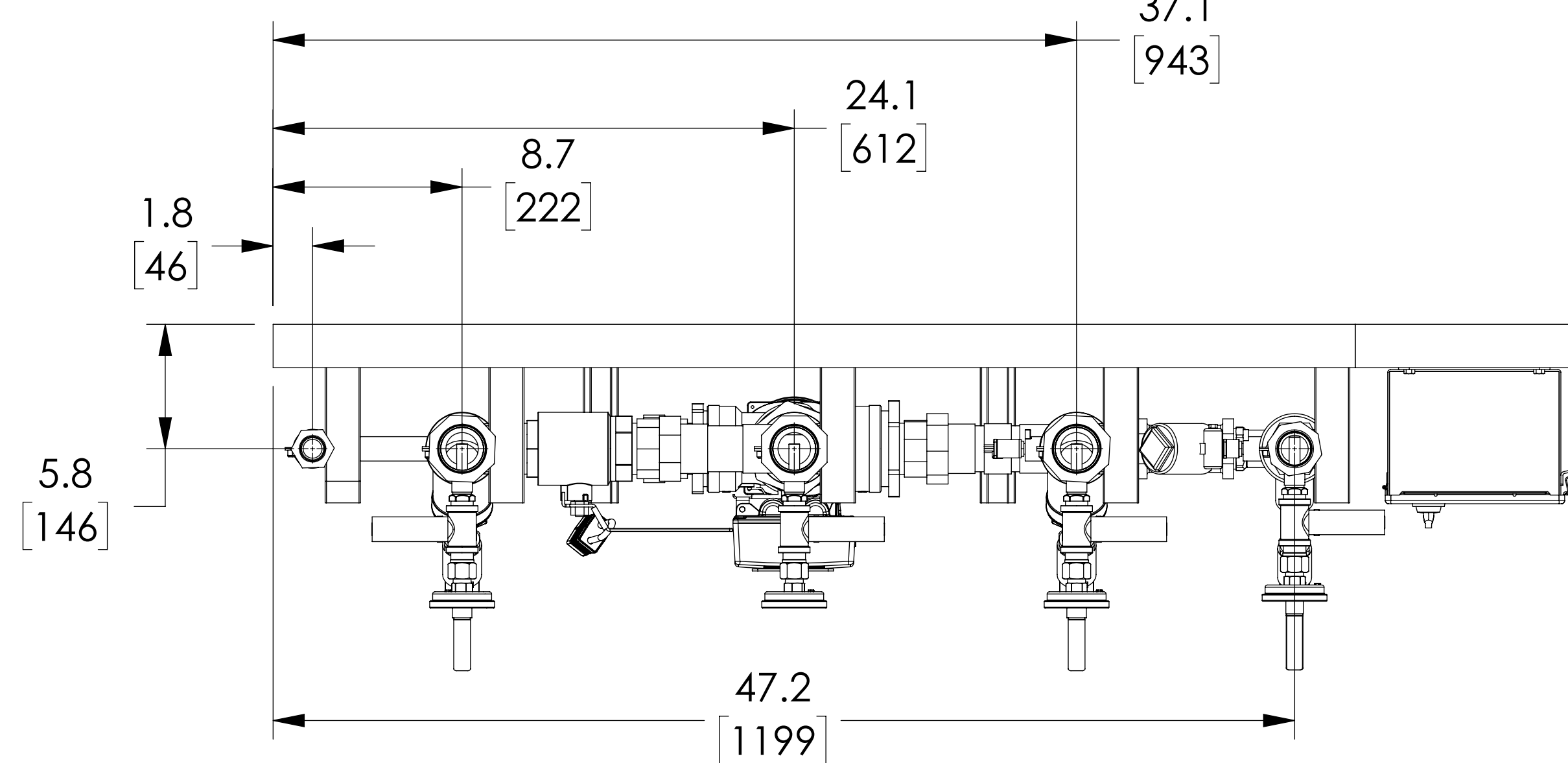
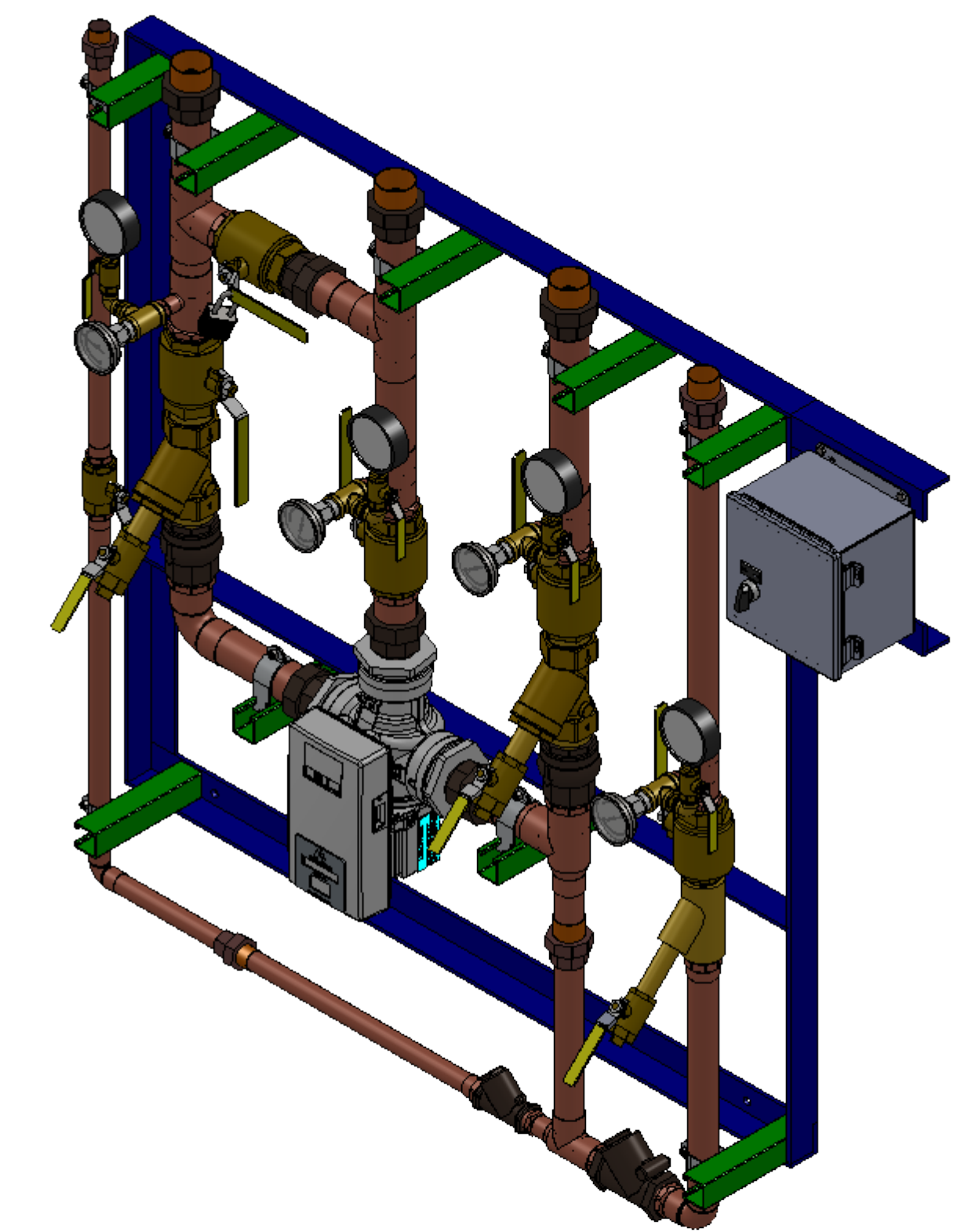


APPROVAL

BY: _____ DATE: _____

- APPROVED, PROCEED WITH FABRICATION
- APPROVED AS NOTED, PROCEED WITH FABRICATION IN ACCORDANCE WITH COMMENTS
- DISAPPROVED, DO NOT FABRICATE



PROJECT NAME :

TAG :

ITEM NO.	DESCRIPTION	QTY	CONNECTION
1	HOT WATER INLET	1	2" SWT
2	MIXED WATER OUTLET	1	2" SWT
3	RETURN TO HEATER	1	1" SWT
4	RECIRC RETURN INLET	1	1-1/2" SWT
5	COLD WATER INLET	1	2" SWT
6	PRESSURE GAUGE	4	
7	THERMOMETER	4	
8	BALL VALVE	3	
9	STRAINER	2	
10	SPRING CHECK VALVE	2	
11	SWING CHECK VALVE	2	
12	DRV50	1	2" NPT
13	BLOW DOWN	2	1" NPT
14	SERVICE BY-PASS(NORMALLY CLOSED)	1	
15	ELECTRICAL PANEL	1	110VAC @ 0.7A
16	BLOW DOWN	1	3/4" NPT

ITEM	MATERIAL
PIPING	COPPER TYPE "L"

- NOTE(S):
- ALL DIMENSIONS +/- 0.5[13] UNLESS OTHERWISE SHOWN.
 - COMPLETE ASSEMBLY LEAD FREE COMPLIANT - THE WETTED SURFACE OF THIS PRODUCT CONTACTED BY CONSUMABLE WATER CONTAINS LESS THAN ONE QUARTER OF ONE PERCENT (0.25%) OF LEAD BY WEIGHT.
 - PACKAGE INCLUDES ALL REQUIRED INLET CHECK VALVES AND STRAINERS ON DOMESTIC SIDE.
 - DRV AND ELECTRIC PANEL ARE PRE-WIRED TO PROVIDE A SINGLE ELECTRICAL LANDING POINT AT THE PANEL.
 - REFERENCE ARMSTRONG PART NO. D40811

DO NOT SCALE DRAWING
TOLERANCES UNLESS OTHERWISE SPECIFIED
DIMENSIONING ENGLISH [mm]
FRACTIONAL ± 1/64
ANGULAR: ± 2

DECIMAL	IN.	MM
.XXXX	± .0005	-----
.XXX	± .005	.010
.XX	± .015	.10
.X	-----	.3

NAME	DATE
Jega Theesan	03/13/2015

DRAWN: Jega Theesan
RELEASED:

ARMSTRONG INTERNATIONAL
Copyright © 2010 ARMSTRONG INTERNATIONAL, INC.
DMC50 2 SWT 2 SWT 1-1/2 SWT CPR

MATERIAL	CN56575	REVJ	DWG. SALES
----------	---------	------	------------

SHEET 1 OF 1