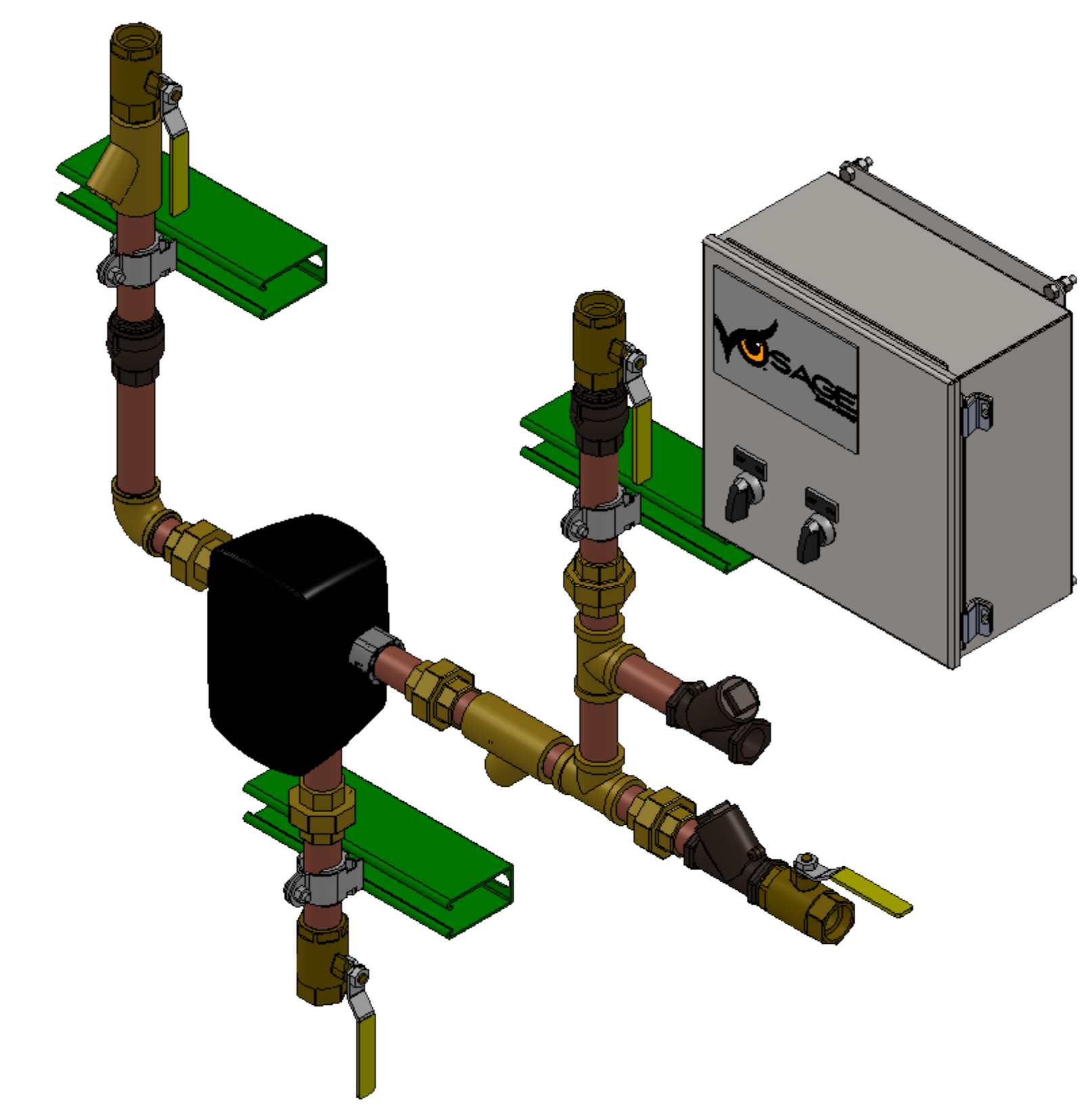
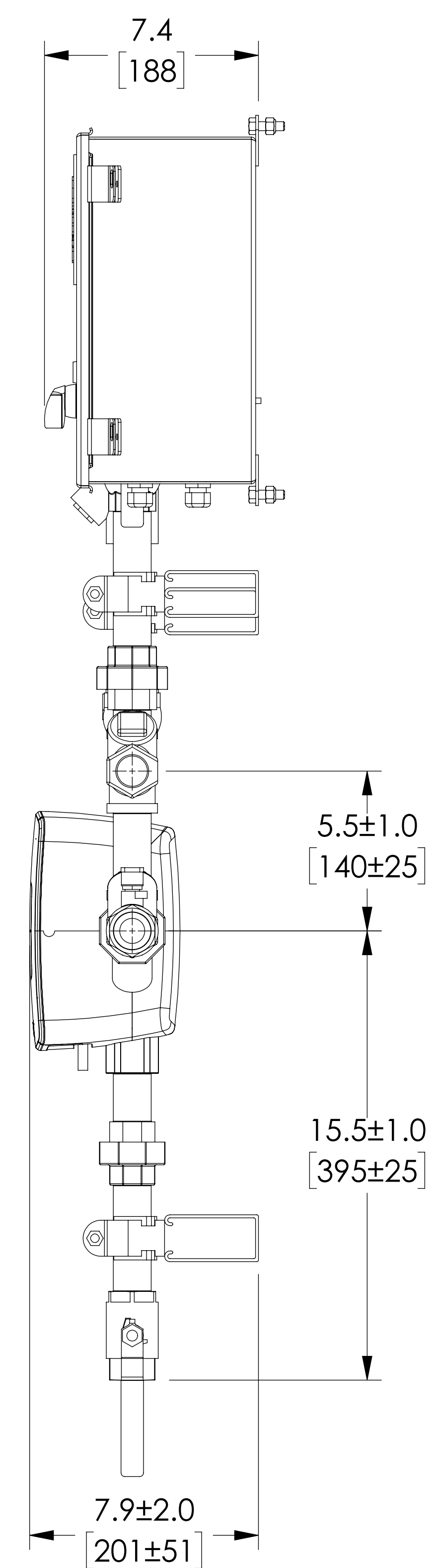
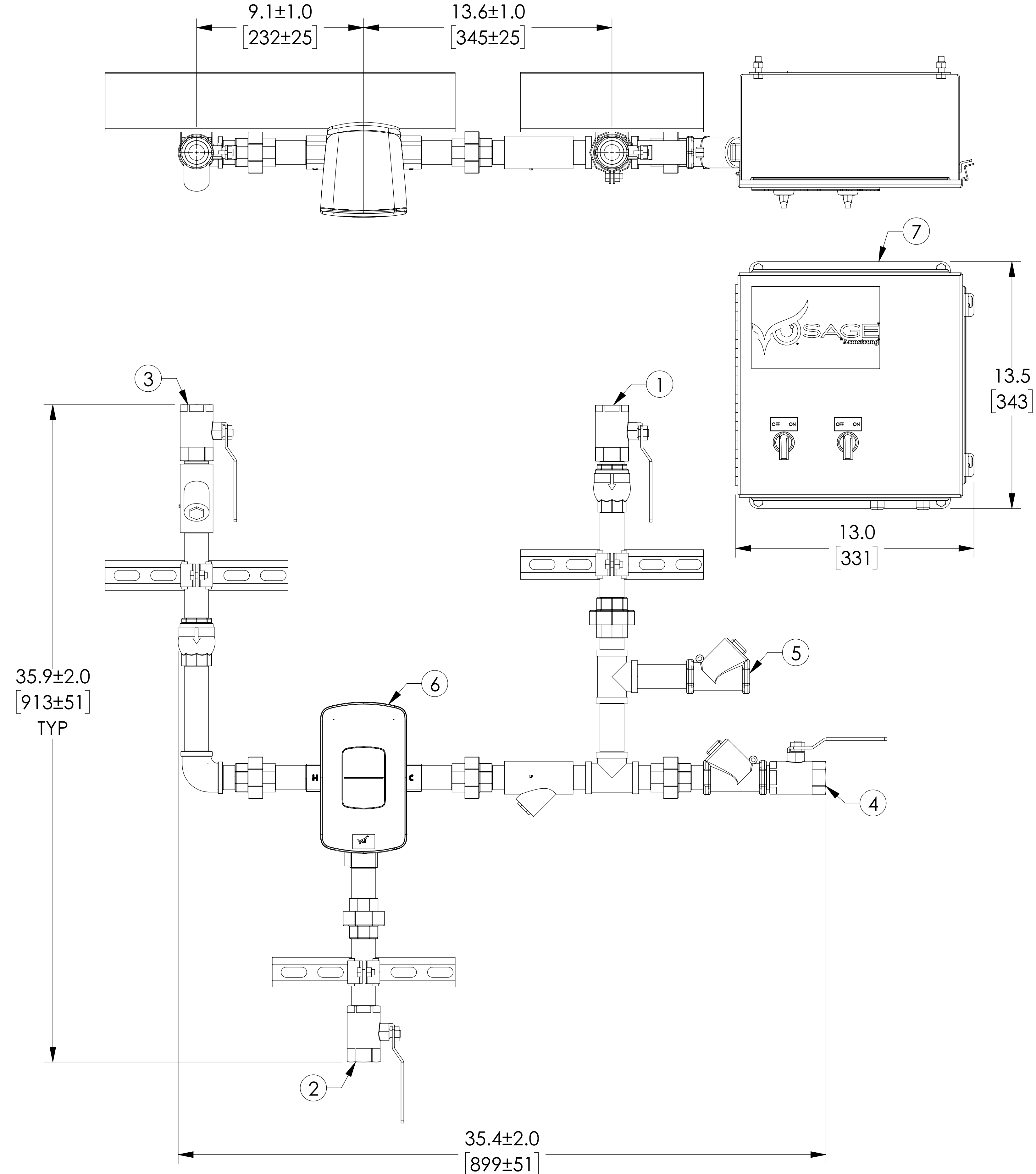


# APPROVAL

BY: \_\_\_\_\_ DATE: \_\_\_\_\_

- APPROVED, PROCEED WITH FABRICATION
- APPROVED AS NOTED, PROCEED WITH FABRICATION IN ACCORDANCE WITH COMMENTS
- DISAPPROVED, DO NOT FABRICATE



<b>PROJECT NAME:</b>		
<b>TAG:</b>		
ITEM NO	DESCRIPTION	CONNECTION
1	COLD WATER INLET	1" NPT
2	MIXED WATER OUTLET	1" NPT
3	HOT WATER INLET	1" NPT
4	RECIRC RETURN INLET	1" NPT
5	RETURN TO HEATER	1" NPT
6	DRV25	1" NPT
7	ELECTRICAL PANEL/SAGE	110VAC@1.2

- NOTES:
- ARMSTRONG PART NUMBER: D113242
  - ALL DIMENSIONS +/-0.5 [13] UNLESS OTHERWISE SHOWN
  - COMPLETE ASSEMBLY LEAD FREE COMPLIANT - THE WETTED SURFACE OF THIS PRODUCT CONTACTED BY CONSUMABLE WATER CONTAINS LESS THAN ONE QUARTER OF ONE PERCENT (0.25%) OF LEAD BY WEIGHT
  - PACKAGE INCLUDES ALL REQUIRED INLET CHECK VALVES AND STRAINERS ON DOMESTIC SIDE
  - ELECTRICAL PANEL IS SHIPPED LOOSE FOR FIELD MOUNTING

		<b>ARMSTRONG INTERNATIONAL</b> Copyright © 2010 ARMSTRONG INTERNATIONAL, INC.	
DO NOT SCALE DRAWING TOLERANCES UNLESS OTHERWISE SPECIFIED DIMENSIONING ENGLISH [mm]		<b>DMC25BS</b>	
FRACTIONAL ± 1/64 ANGULAR: ± 2		MATERIAL	
DECIMAL .XXXX ± .0005 .XXX ± .005 .010 .XX ± .015 .10 .X ± .3		SHEET 1 OF 1	
NAME: Arun Sakthivel DATE: 12/11/2018		CN65426	
DRAWN: Arun Sakthivel RELEASED:		REV A DWG. SALES	