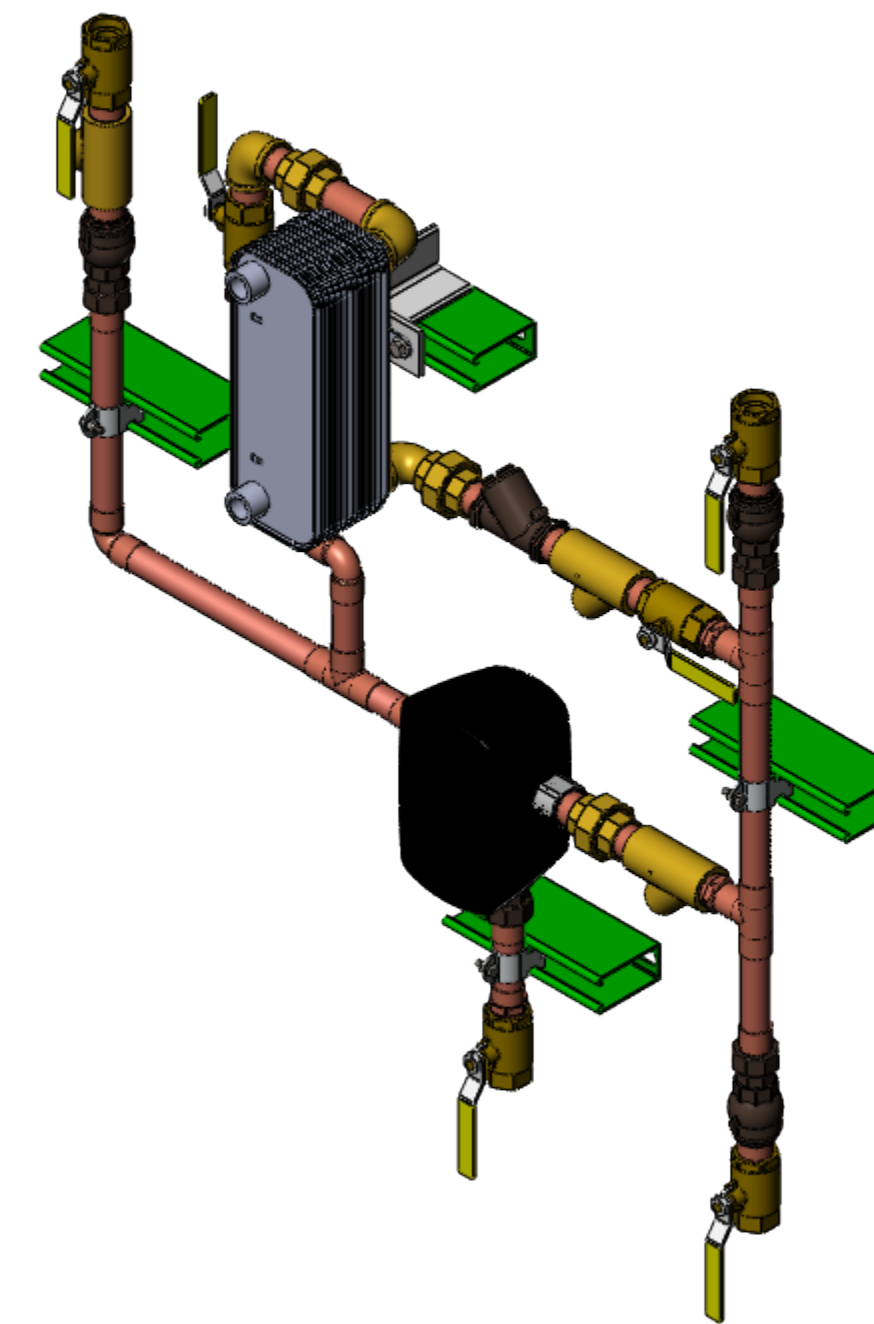
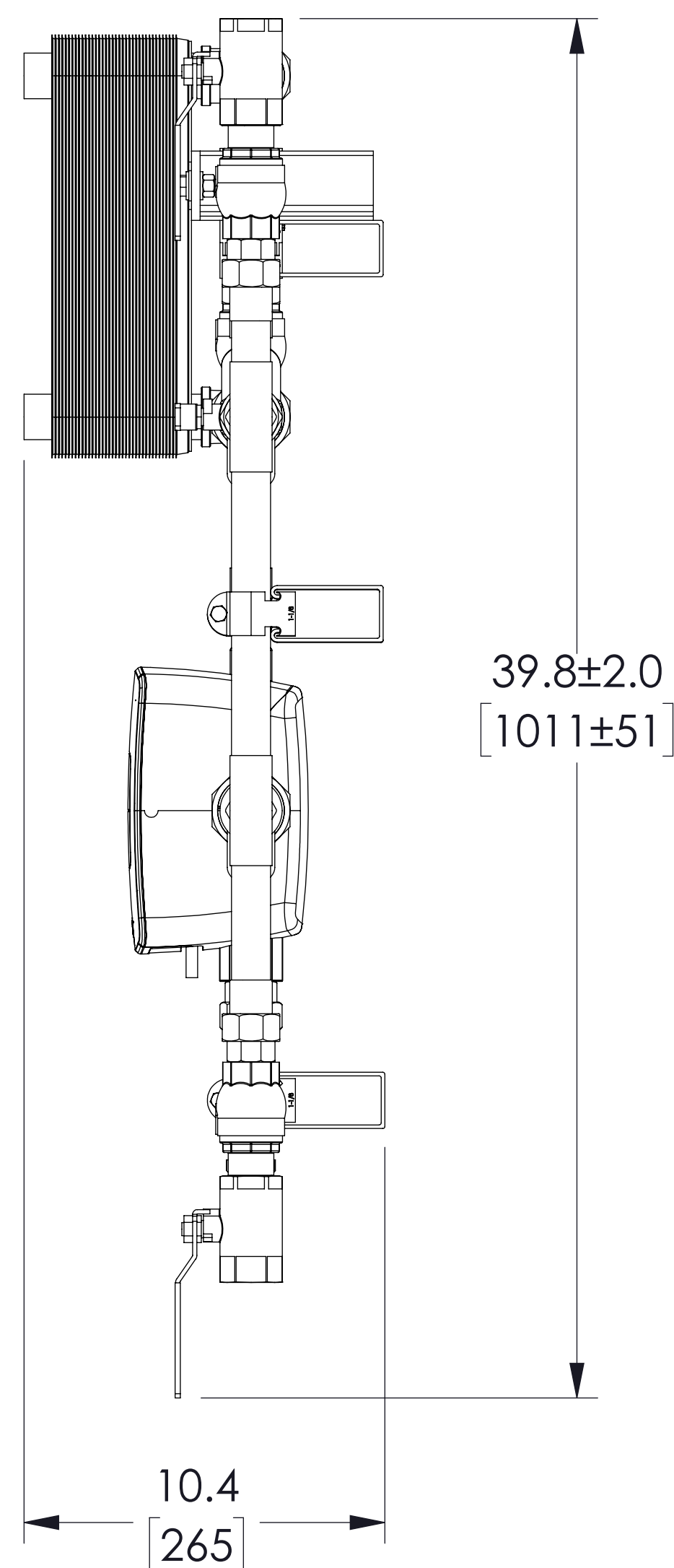
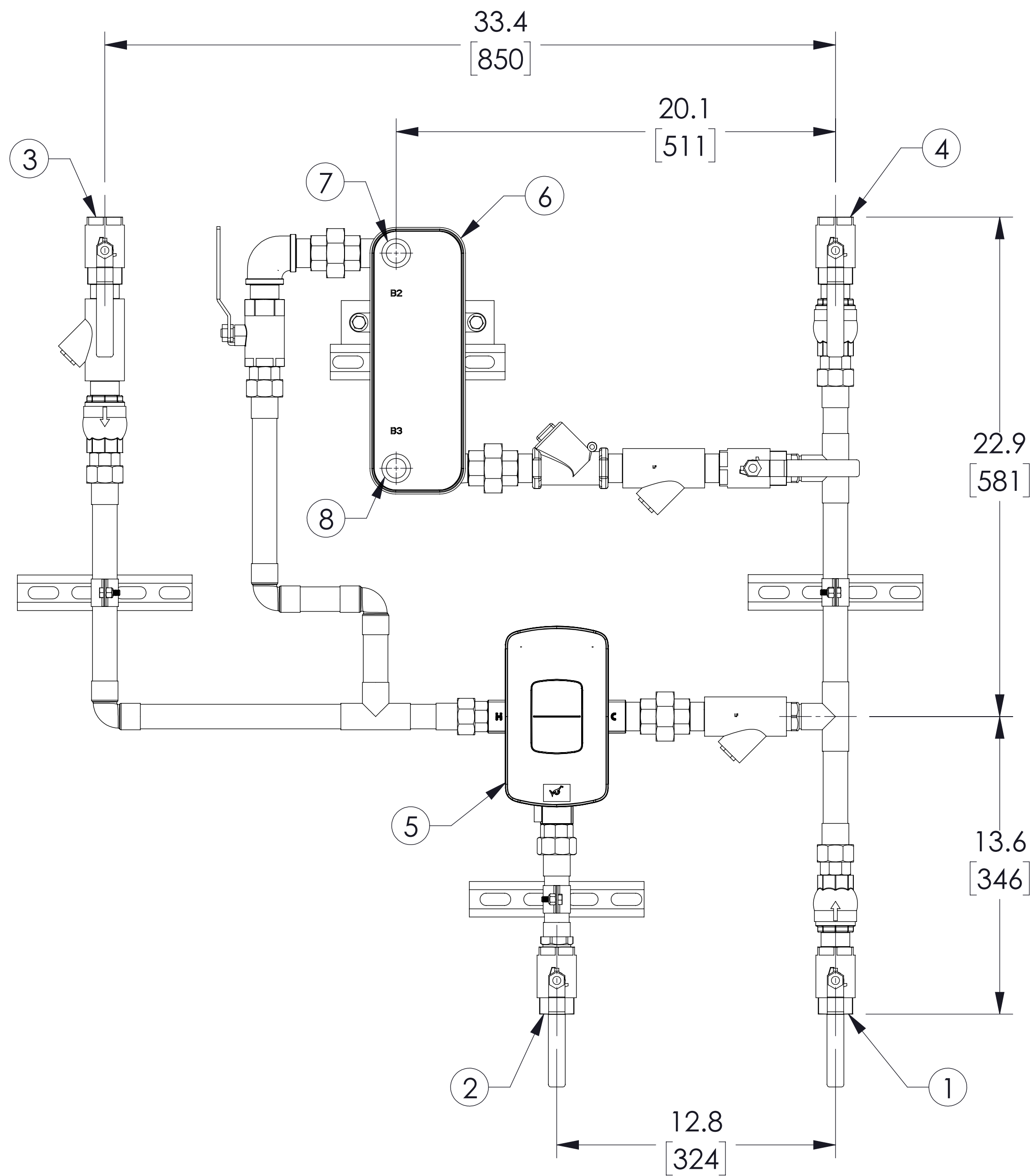


APPROVAL

BY: _____ DATE: _____

- APPROVED, PROCEED WITH FABRICATION
- APPROVED AS NOTED, PROCEED WITH FABRICATION IN ACCORDANCE WITH COMMENTS
- DISAPPROVED, DO NOT FABRICATE



| Zone Reheat System Typical Parameters | Custom |
|--|--------|
| DRV System Set Point | 134 |
| Recirc ΔT | 10 |
| Recirc Temp | 124 |
| Recirc Flow | 2.25 |
| Recirc Reheat Flow | 1.88 |
| Recirc Reheat Temp | 136 |
| Recirc Reheat Press Drop | 0.03 |
| PHE Supply Flow | 2.26 |
| PHE Supply Temp | 140 |
| PHE Supply Return Temp | 130 |
| PHE Supply Press Drop | 0.05 |
| *Assumes Avg. of 1.5 floors, 1140' of 1" dia. Pipe for building size | |

| ITEM | DESCRIPTION | QTY | CONNECTION |
|--------|---------------------|-----------------|------------|
| 1 | COLD WATER INLET | 1 | 1" NPT |
| 2 | MIXED WATER OUTLET | 1 | 1" NPT |
| 3 | HOT WATER INLET | 1 | 1" NPT |
| 4 | RECIRC RETURN INLET | 1 | 1" NPT |
| 5 | DRV25 | 1 | 1" NPT |
| 6 | PHE | 1 | 1" NPT |
| 7 | PRIMARY INLET | 1 | 1" NPT |
| 8 | PRIMARY OUTLET | 1 | 1" NPT |
| ITEM | | MATERIAL | |
| PIPING | | COPPER TYPE "L" | |

NOTES:

- ALL DIMENSIONS +/- 3.0 [76] UNLESS OTHERWISE SHOWN.
- COMPLETE ASSEMBLY LEAD FREE COMPLIANT - THE WETTED SURFACE OF THIS PRODUCT CONTACTED BY CONSUMABLE WATER CONTAINS LESS THAN ONE QUARTER OF ONE PERCENT (0.25%) OF LEAD BY WEIGHT.
- PACKAGE INCLUDES ALL REQUIRED INLET CHECK VALVES AND STRAINERS ON DOMESTIC SIDE.
- DRV AND ELECTRICAL PANEL ARE PRE-WIRED TO PROVIDE A SINGLE ELECTRICAL LANDING POINT AT THE PANEL.
- REFERENCE ARMSTRONG PART NO. D133128

| | |
|---------------------------------------|---------------|
| DO NOT SCALE DRAWING | |
| TOLERANCES UNLESS OTHERWISE SPECIFIED | |
| DIMENSIONING ENGLISH [mm] | |
| FRACTIONAL ± 1/64 | ANGULAR: ± 2 |
| DECIMAL | .XXXX ± .0005 |
| | .XXX ± .005 |
| | .XX ± .015 |
| | .X ± .03 |

| | |
|----------|------------|
| NAME | DATE |
| DURAI | 02/12/2021 |
| RELEASED | |

ARMSTRONG INTERNATIONAL
Copyright © 2010 ARMSTRONG INTERNATIONAL, INC.

DMC25 FLEX PHE-410-38 1 NPT 1 NPT 1 NPT CPR

| | | | | |
|----------|---------|-------|------|-------|
| MATERIAL | CN74169 | REV A | DWG. | SALES |
|----------|---------|-------|------|-------|

SHEET 1 OF 1