

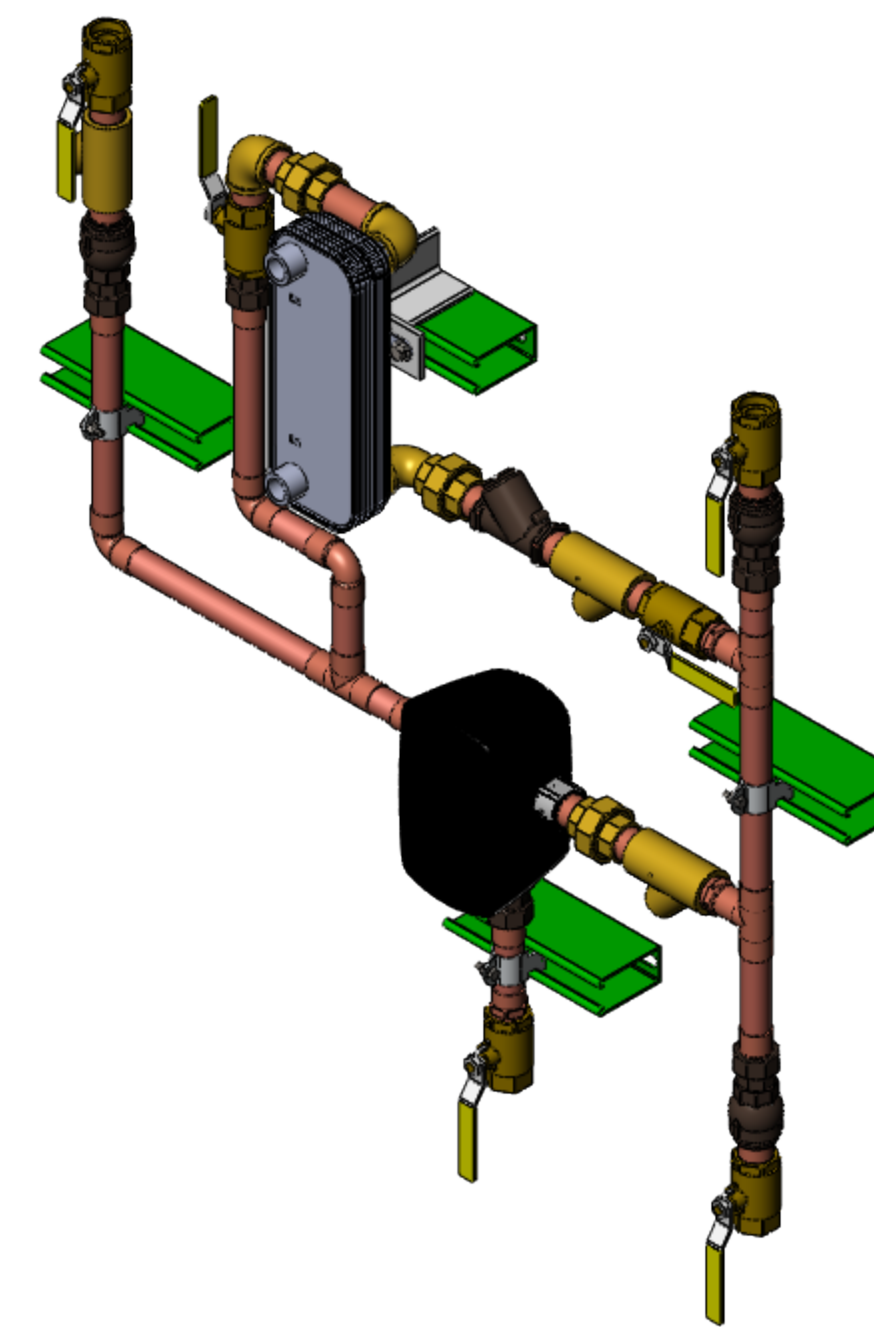
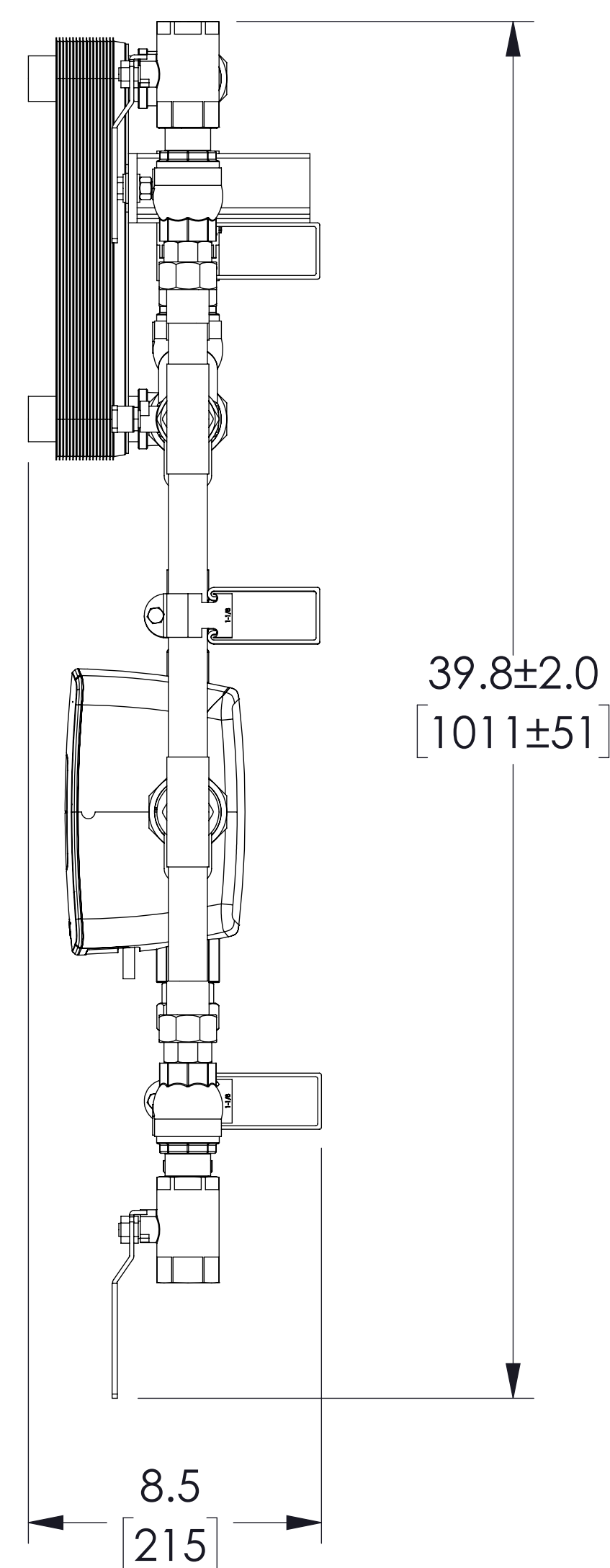
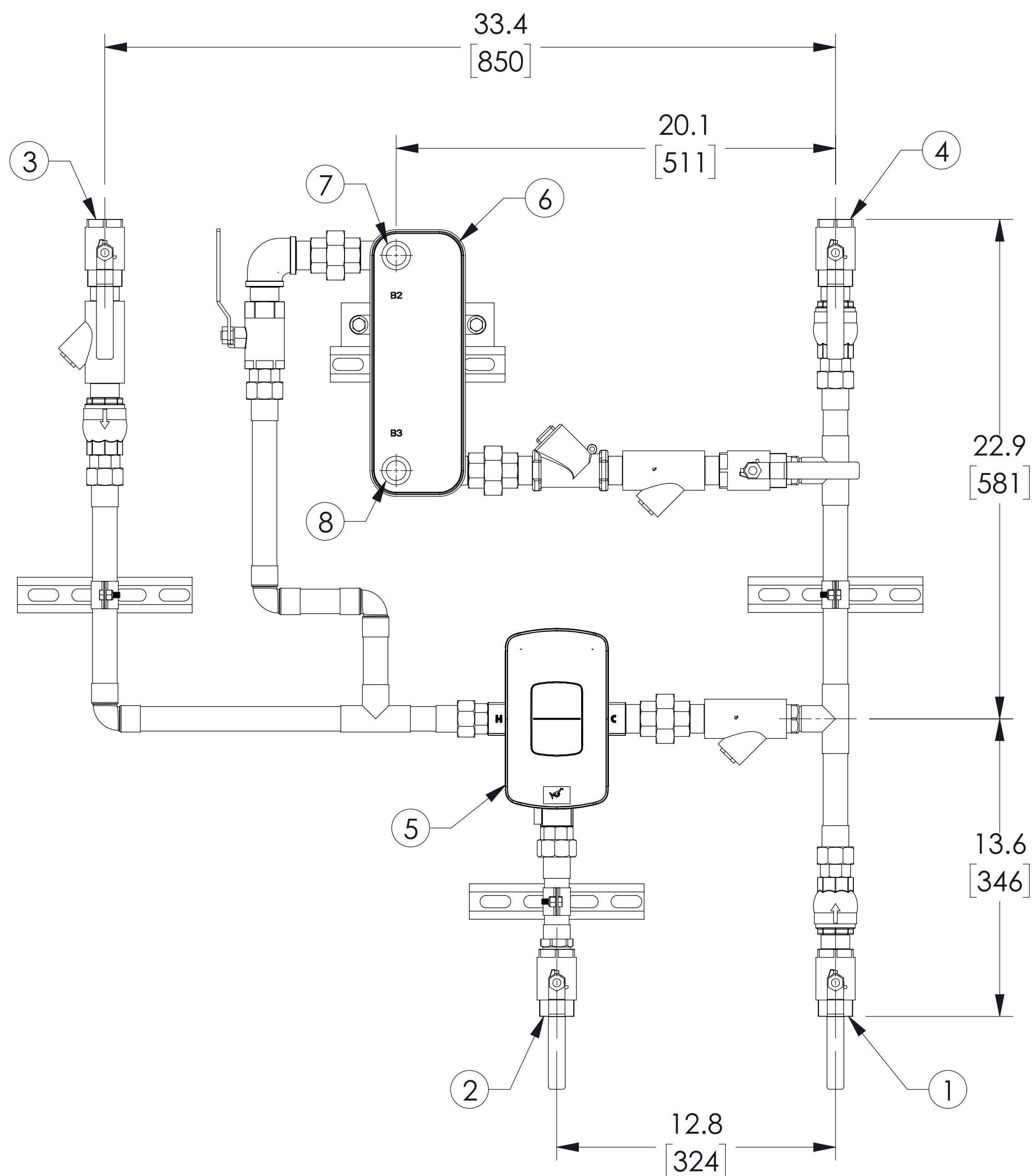
APPROVAL

BY: _____ DATE: _____

- APPROVED, PROCEED WITH FABRICATION
- APPROVED AS NOTED, PROCEED WITH FABRICATION IN ACCORDANCE WITH COMMENTS
- DISAPPROVED, DO NOT FABRICATE

Zone Reheat System Typical Parameters		Custom
DRV System Set Point	126	129
Recirc ΔT	2	5
Recirc Temp	124	124
Recirc Flow	9	4
Recirc Reheat Flow	4.5	2.86
Recirc Reheat Temp	128	131
Recirc Reheat Press Drop	0.61	0.22
PHE Supply Flow	1.8	2.01
PHE Supply Temp	140	140
PHE Supply Return Temp	130	130
PHE Supply Press Drop	0.1	0.13

*Assumes Avg. of 1.5 floors, 1140' of 1" dia. Pipe for building size



ITEM	DESCRIPTION	QTY	CONNECTION
1	COLD WATER INLET	1	1" NPT
2	MIXED WATER OUTLET	1	1" NPT
3	HOT WATER INLET	1	1" NPT
4	RECIRC RETURN INLET	1	1" NPT
5	DRV25	1	1" NPT
6	PHE	1	1" NPT
7	PRIMARY INLET	1	1" NPT
8	PRIMARY OUTLET	1	1" NPT

ITEM	MATERIAL
PIPING	COPPER TYPE "L"

- NOTES:
- ALL DIMENSIONS +/- 3.0 [76] UNLESS OTHERWISE SHOWN.
 - COMPLETE ASSEMBLY LEAD FREE COMPLIANT - THE WETTED SURFACE OF THIS PRODUCT CONTACTED BY CONSUMABLE WATER CONTAINS LESS THAN ONE QUARTER OF ONE PERCENT (0.25%) OF LEAD BY WEIGHT.
 - PACKAGE INCLUDES ALL REQUIRED INLET CHECK VALVES AND STRAINERS ON DOMESTIC SIDE.
 - DRV AND ELECTRICAL PANEL ARE PRE-WIRED TO PROVIDE A SINGLE ELECTRICAL LANDING POINT AT THE PANEL.
 - REFERENCE ARMSTRONG PART NO. D133126

DO NOT SCALE DRAWING	
TOLERANCES UNLESS OTHERWISE SPECIFIED	
DIMENSIONING ENGLISH [mm]	
FRACTIONAL ± 1/64	
ANGULAR: ± 2	
DECIMAL	
.XXX ± .005	.10
.XX ± .015	.10
.X ± .03	.3

NAME	DATE
DURAI	02/12/2021
RELEASED	

ARMSTRONG INTERNATIONAL
Copyright © 2010 ARMSTRONG INTERNATIONAL, INC.

DMC25 FLEX PHE-410-18 1 NPT 1 NPT 1 NPT
CPR

MATERIAL	SHEET 1 OF 1
CN74169	REV A DWG. SALES