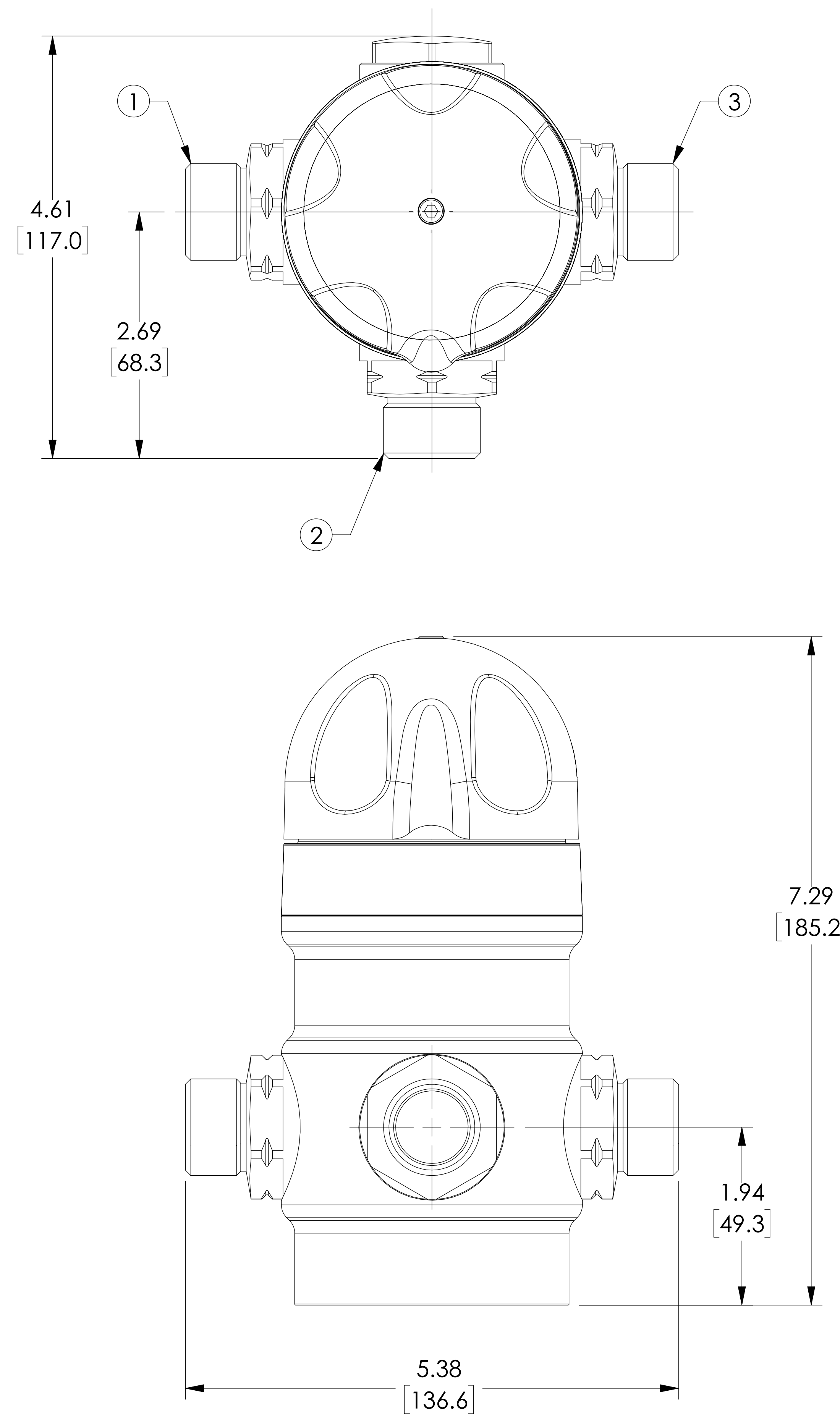


APPROVAL

BY: _____ DATE: _____

- APPROVED, PROCEED WITH FABRICATION
- APPROVED AS NOTED, PROCEED WITH FABRICATION IN ACCORDANCE WITH COMMENTS
- DISAPPROVED, DO NOT FABRICATE



NOTE:
1. ARMSTRONG PART NUMBER: D81520

PROJECT NAME:

TAG:

ITEM	DESCRIPTION	CONNECTION
1	HOT WATER INLET MALE NPT	3/4" NPT
2	MIXED WATER OUTLET MALE NPT	3/4" NPT
3	COLD WATER INLET MALE NPT	3/4" NPT

DO NOT SCALE DRAWING																	
TOLERANCES UNLESS OTHERWISE SPECIFIED																	
DIMENSIONING ENGLISH [mm]																	
FRACTIONAL ± 1/64																	
ANGULAR: ± 2																	
DECIMAL	<table border="1"> <tr> <td>.XXXX</td> <td>±</td> <td>.0005</td> <td>----</td> </tr> <tr> <td>.XXX</td> <td>±</td> <td>.005</td> <td>.010</td> </tr> <tr> <td>.XX</td> <td>±</td> <td>.015</td> <td>.10</td> </tr> <tr> <td>.X</td> <td>-----</td> <td>.3</td> <td></td> </tr> </table>	.XXXX	±	.0005	----	.XXX	±	.005	.010	.XX	±	.015	.10	.X	-----	.3	
.XXXX	±	.0005	----														
.XXX	±	.005	.010														
.XX	±	.015	.10														
.X	-----	.3															

		NAME	DATE
		Lucas Wilkins	04/07/2016
DRAWN			
RELEASED			

ARMSTRONG INTERNATIONAL Copyright © 2010 ARMSTRONG INTERNATIONAL, INC.	
320 M NPT WITH PLUG	
MATERIAL	PURCHASED ASSEMBLIES
CN51174	SHEET 1 OF 1
REV A	DWG. SALES