



Clean-In-Place Scale Removal System

The Clean-In-Place scale removal system from Armstrong is surefire defense against lime scale, rust and mud. When mechanical cleaning is ineffective or just not feasible for water-wetted process equipment, just wheel in this portable dynamo and say goodbye to crud-encrusted surfaces.

Use Clean-In-Place to remove scale from all types of water-wetted equipment: instantaneous water heaters, heat exchangers of all types (up to 10 gallons of internal volume), booster heaters, pumps, evaporative condensers, vacuum pumps, small water-cooled air compressors, stills and sterilizers, and vessel jackets.

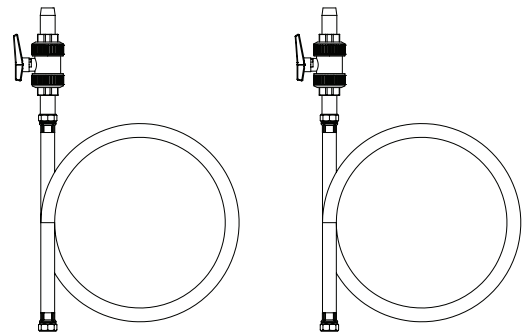
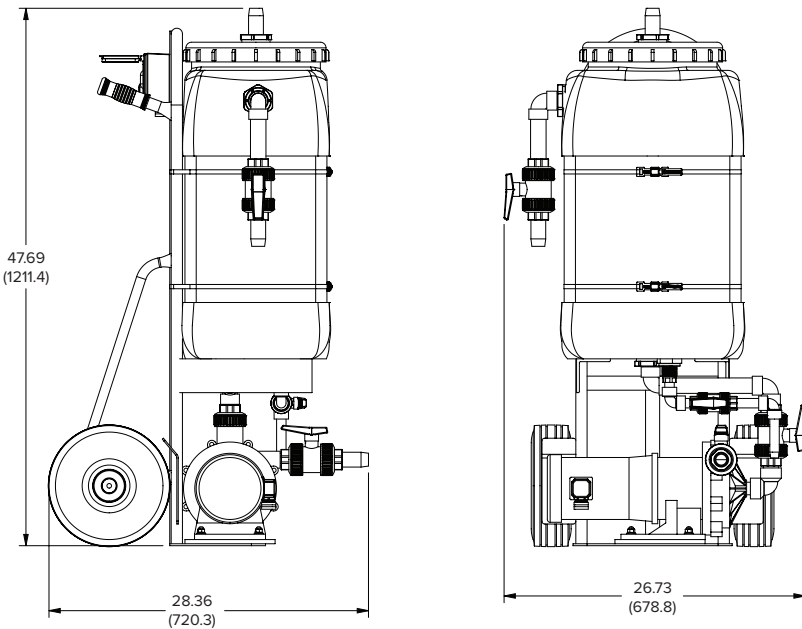
Benefits

- Removes scale quickly and effectively
- Requires only two 1-inch connections
- Equipped with easy-to-fill 15-gallon tank (or can draw from a larger stand-by reservoir)
- Goes where you need it on a heavy-duty hand truck: compact and portable
- Adapts to multiple applications
- Operates easily



NOTE: Make certain that scale solvents used in the Clean-In-Place are compatible with all wetted parts of the heater. Check with your local Armstrong Representative for recommended scale solvents.

Standard Materials of Construction	
Part	Specifications
Pump	Teflon coated cast iron body and barform impeller Rotary graphite seal with ceramic seat
Pump Motor	1/2 H.P. 3,450 RPM, 115/230V, 60 cycle AC
Tank	15 gallon - polypropylene - DOT certified
Hoses	Two 10' clear, reinforced PVC hose
All Piping	PVC Sch. 80
Valves	PVC
Hand Truck	Steel frame with 8" rubber wheels



Supplied with 10' Discharge and Supply Hose

Approximate Shipping Weight: 190 lbs

Reference Drawing Number D42760