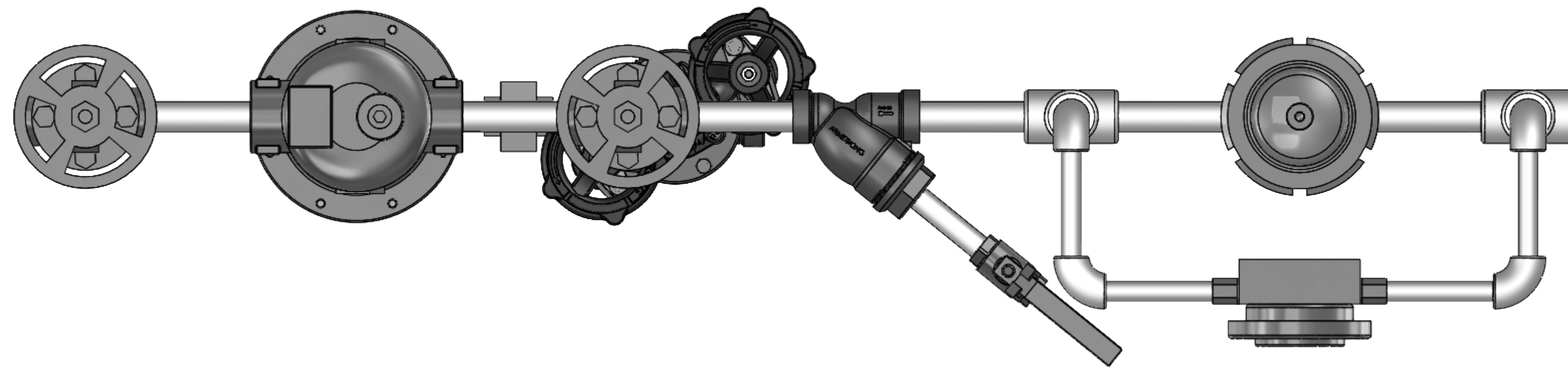
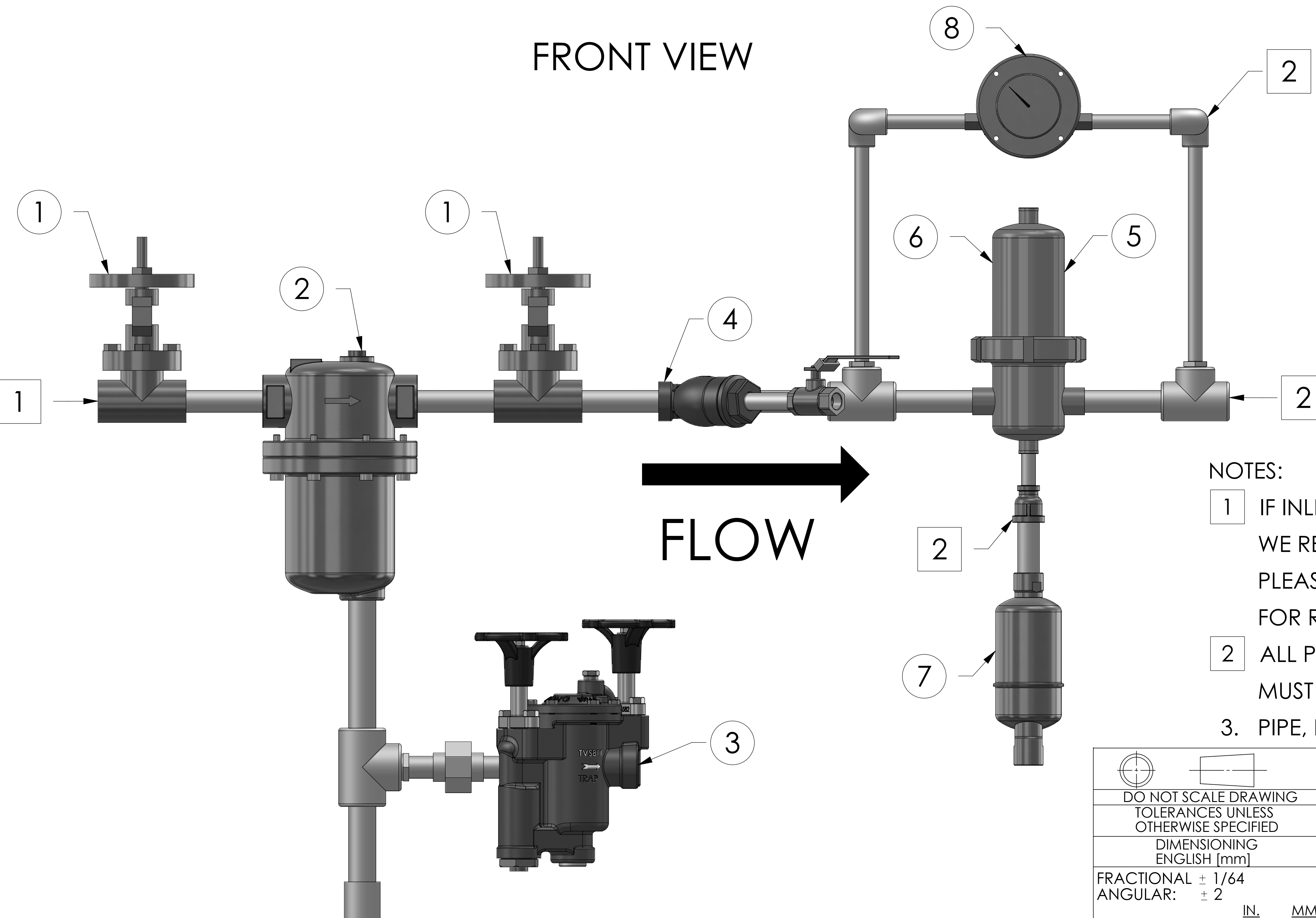


TOP VIEW



NUMBER	COMPONENT	MATERIAL
1	GATE VALVE	CARBON STEEL
2	DS-1 SEPARATOR	DUCTILE IRON
3	TVS811	CAST IRON
4	STRAINER	CAST IRON
5	STEAM FILTER HOUSING	304 STAINLESS STEEL
6	FILTER MEDIA	STAINLESS STEEL
7	LIQUID DRAINER	304 STAINLESS STEEL
8	DIFF. PRESS. GAUGE	ALUMINUM - WETTED SS INTERNALS

FRONT VIEW



NOTES:

- 1 IF INLET PRESSURE EXCEEDS 30 PSI [2.1 BAR], KIT MAX. OPERATING, WE RECOMMEND A PRV BE INSTALLED AHEAD OF STEAM FILTER KIT. PLEASE CONSULT LOCAL ARMSTRONG FACTORY REP FOR RECOMMENDATIONS AND/OR ASSISTANCE.
- 2 ALL PIPING AND FITTINGS, FOLLOWING THE STEAM FILTER, MUST BE STAINLESS TO COMPLY WITH 3-A STANDARDS.
- 3. PIPE, FITTINGS, STRAINER BLOWDOWN VALVE NOT SUPPLIED WITH KIT.

DO NOT SCALE DRAWING	
TOLERANCES UNLESS OTHERWISE SPECIFIED	
DIMENSIONING ENGLISH [mm]	
FRACTIONAL	± 1/64
ANGULAR:	± 2
DECIMAL	.XXX ± .005
	.XX ± .015
	.X ± .3

		NAME
DRAWN	Derek Westphal	09/28/2020
RELEASED		10/22/2020

ARMSTRONG INTERNATIONAL Copyright © 2010 ARMSTRONG INTERNATIONAL, INC.	
STEAM FILTER STATION LAYOUT CATALOG	
MATERIAL	SHEET 1 OF 1
CN73272	REV B DWG. MKT130421