

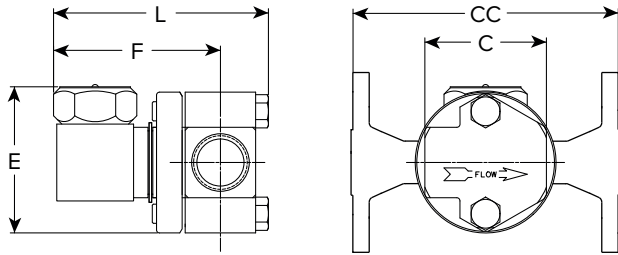
CD-3300 Series Controlled Disc Steam Traps

All Stainless Steel with 360° Connector

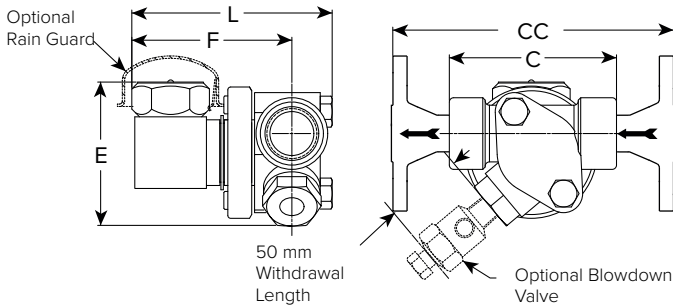
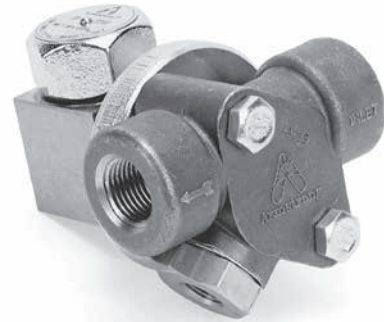
For Pressures to 31 bar...Capacities to 360 kg/h



Steam Trapping and
Steam Tracing Equipment



CD-3300 with Standard Connector



CD-3300 with IS-2 Connector with Integral Strainer

The Armstrong CD-3300 is a three discharge port design, which provides stable disc operation to extend operating life.

The CD-3300 is piped in-line by a 360° universal connector which allows you to install the trap in virtually any piping configuration. Armstrong's unique standard connector or its IS-2 connector with integral strainer makes the CD-3300 easy to install, easy to renew. You save on labor time and cost because the connector simplifies piping and remains in-line.

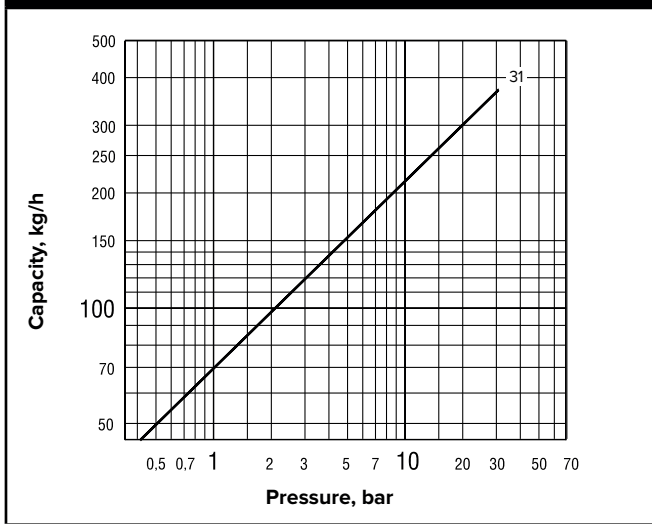
Materials

| | |
|--|--|
| Trap cap: | ASTM A743 CA40 |
| Trap disc: | ASTM A276 Gr.420 |
| Trap body: | ASTM A276 Gr.420 |
| Standard connector: | Stainless steel – 304 |
| IS-2 connector with integral strainer: | ASTM A351 Gr.CF8 20 x 20 mesh 304 SS Screen |

Connections

Screwed BSPT and NPT
Socketweld
Flanged DIN or ANSI (welded)

Table ST-171-1. Model CD-3300 Capacity



Note: CD traps can operate with minimum of 0,15 bar inlet pressure and a maximum of 80% back pressure. However, for best results, inlet pressure should not drop below 0,70 bar and back pressure should not exceed 50% of inlet pressure.

Options

Rain guard insulating cap
Blowdown valve – IS-2 connector only

Table ST-171-2. Model CD-3300 Trap (dimensions in mm)

| Model No. | CD-3300 | |
|-----------------------------------|--------------------|------------------------------------|
| | Standard Connector | IS-2 Connector w/Integral Strainer |
| Pipe Connections | 15 – 20 – 25 | 15 – 20 25 |
| “C” Face-to-Face (screwed & SW) | 60 – 60 – N/A | 89 102 |
| “CC” Face-to-Face (flanged PN40*) | 150 – 150 – 160 | 150 160 |
| “L” Overall Length | 106 | 106 106 |
| “H” Overall Height | 76 | 76 89 |
| “F” \varnothing to Body End | 86 | 86 86 |
| Blowdown Connection Size | — | 1/4" NPT 1/4" NPT |
| Weight in kg (screwed) | 1,6 | 1,8 2,0 |
| Weight in kg (flanged PN40*) | 3,3 – 3,9 – 4,4 | 3,5 – 4,1 4,8 |
| Maximum Allowable Pressure† | 50 bar @ 400°C | |
| Maximum Operating Pressure | 31 bar @ 236°C | |

* Standard flanges are in carbon steel, stainless steel flanges are optional. Other flange sizes, ratings and face-to-face dimensions are available on request.
All sizes comply with the Article 4.3 of the PED (2014/68/UE).
† May be derated depending on flange rating and type.

All dimensions and weights are approximate. Use certified print for exact dimensions. Design and materials are subject to change without notice.