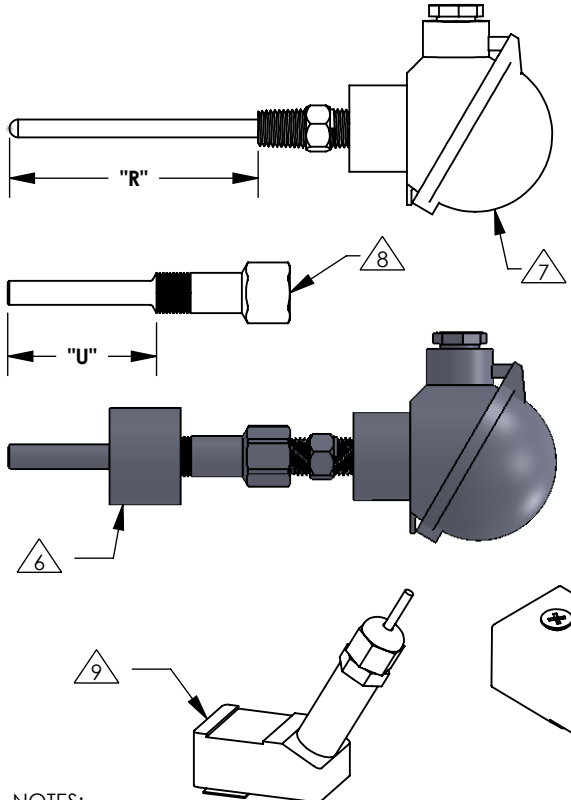
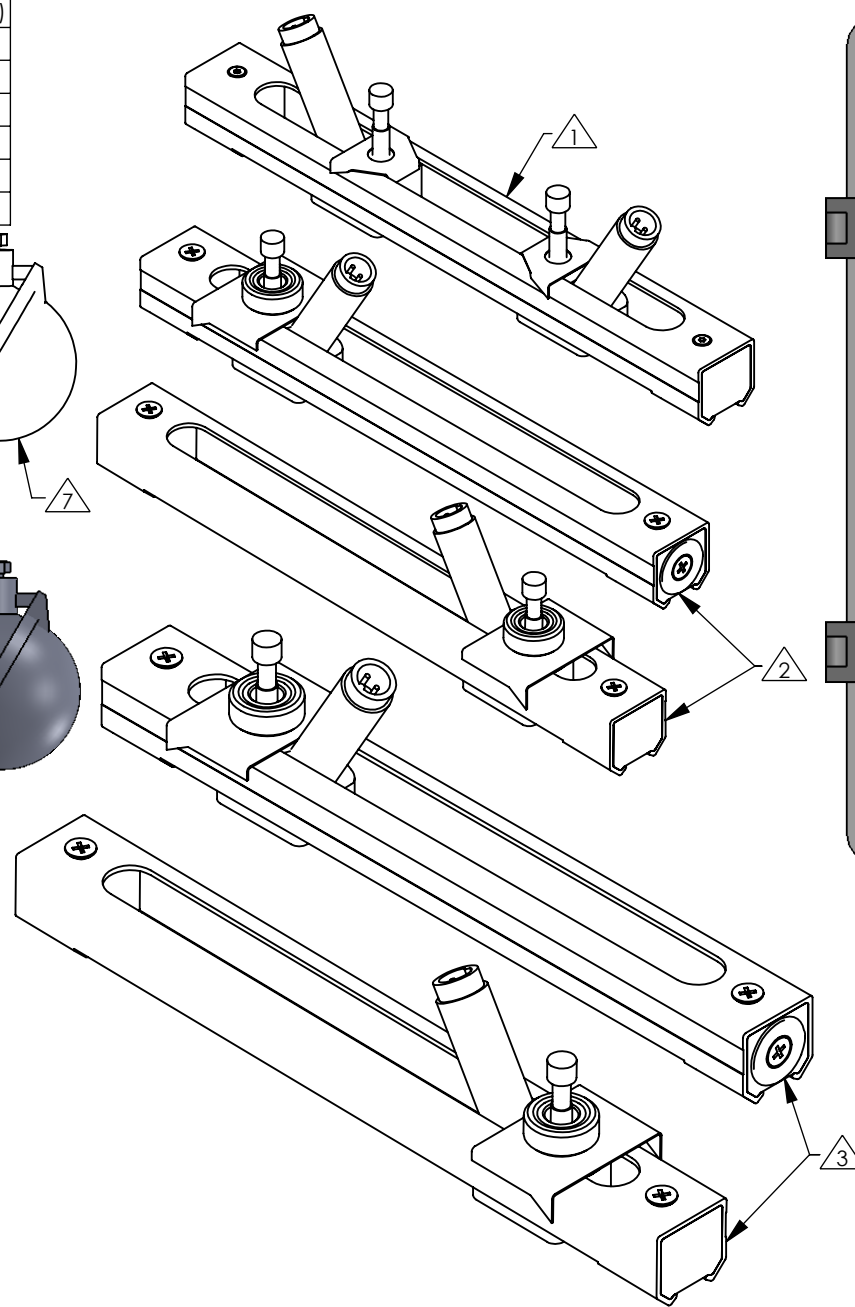


TEMP SENOR SIZE	"R" (IN)	"U" (IN)	PIPE SIZE (IN)
ITA	3.0	0.5	1.0-2.0
ITB	3.5	1.0	3.0-4.0
ITC	4.5	2.0	5.0-6.0
ITD	5.5	3.0	8.0-10.0
ITE	8.5	6.0	12.0-18.0
ITF	11.5	9.0	20.0 +



NOTES:

- 1 "AS" TRANSDUCER FITS PIPE SIZES 3/4" - 3".
- 2 "AM" TRANSDUCER FITS PIPE SIZES 3" - 28".
- 3 "AL" TRANSDUCER FITS PIPE SIZES 28" - 120"
- 4 ULTRASONIC FLOWMETER DISPLAY
- 5 BACNET ADAPTER
- 6 3/4" NPT THREADOLET SUPPLIED BY CUSTOMER.
- 7 INSERTION RTD (3-WIRE, 1000 ohm, PLATINUM, MATCHED TO .15 DEG F)
- 8 316 SS THERMOWELL
- 9 CLAMP ON RTD
- 10. TRANSDUCER CABLES INCLUDED IN ALL ORDERS (NOT SHOWN ON DRAWING).



 VERIS Flow Measurement Group armstronginternational.com/veris	ARMSTRONG ULTRASONIC BTU FLOWMETER	
	DATE: 10/20/2019 SCALE: NTS	DWG. NO. AUF-BTU REV: A PAGE 1 OF 1
5820 Glacier Way Frederick, CO 80516 USA	Phone: (303) 652-8550 Fax: (303) 652-8552	