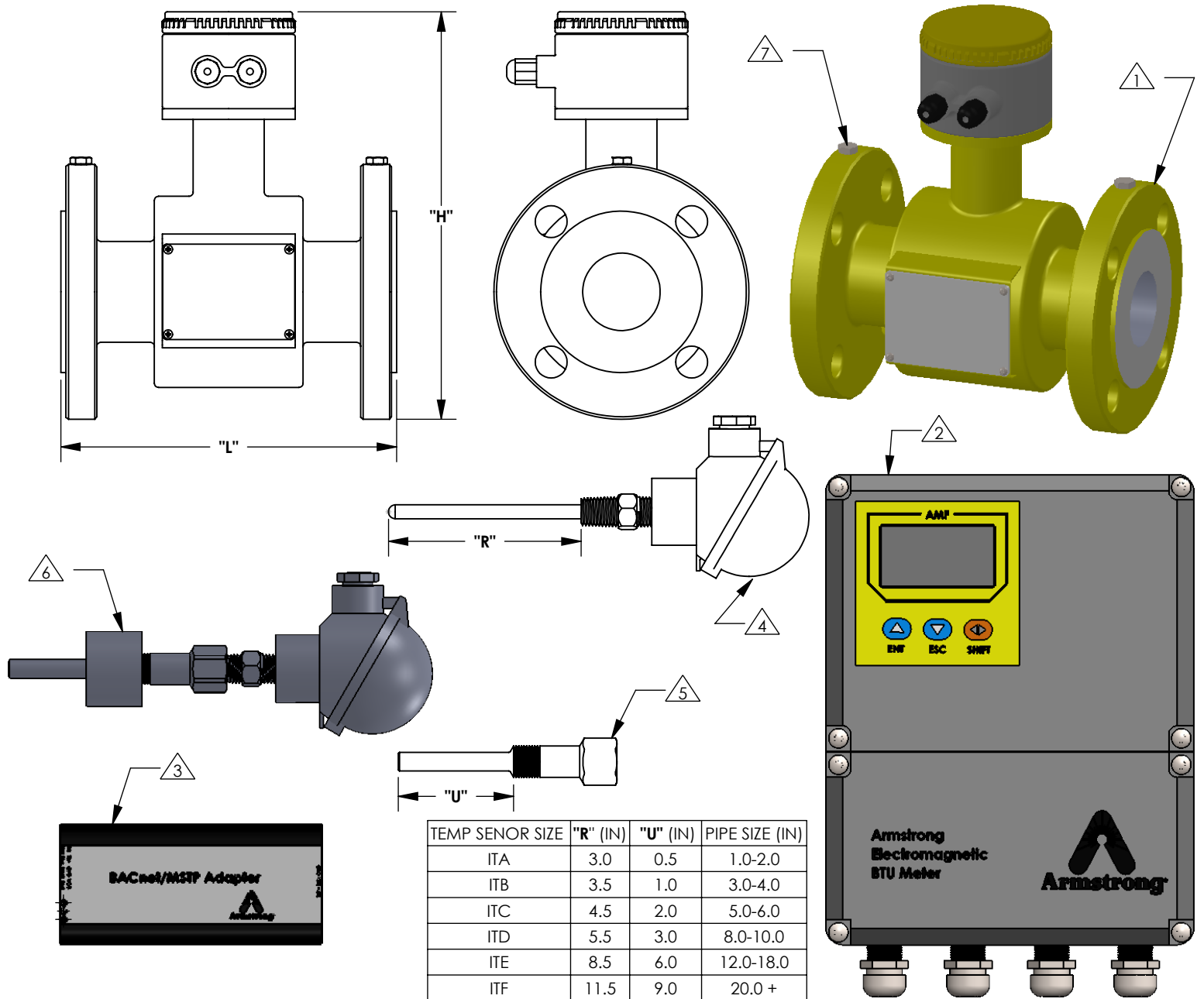


METER SIZE (IN)	ANSI RATING	"L" (IN)	"H" (IN)	WEIGHT (LB)
1/2	150	7.87	8.03	17
	300	7.87	8.19	19
3/4	150	7.87	8.23	19
	300	7.87	8.62	23
1	150	7.87	8.43	20
	300	7.87	8.74	28
1-1/4	150	7.87	8.62	23
	300	7.87	8.94	29
1-1/2	150	7.87	9.02	24
	300	7.87	9.57	36
2	150	7.87	9.80	29
	300	7.87	10.08	36
2-1/2	150	7.87	10.59	33
	300	7.87	10.87	45
3	150	7.87	11.18	37
	300	7.87	11.57	51
4	150	9.57	12.28	42
	300	9.57	12.80	74
5	150	9.84	13.19	51
	300	9.84	13.70	82
6	150	11.81	14.29	62
	300	11.81	15.04	95
8	150	13.78	16.69	79
	300	13.78	17.48	177
10	150	17.72	19.65	112
	300	17.72	20.39	244
12	150	19.69	22.13	156
	300	19.69	22.87	337
14	150	21.65	24.17	180
	300	21.65	25.20	438
16	150	23.62	26.38	218
	300	23.62	27.40	543
18	150	23.62	28.19	251
	300	23.62	29.69	599
20	150	23.62	30.43	295
	300	23.62	31.93	715
24	150	23.62	34.84	361
	300	23.62	36.85	1074



- NOTES:
- ① BTU FLOWMETER
 - ② BTU REMOTE DISPLAY ENCLOSURE
 - ③ BACNET ADAPTER
 - ④ INSERTION RTD*
 - ⑤ 316 SS THERMOWELL
 - ⑥ 3/4" NPT THREADOLET SUPPLIED BY CUSTOMER.
 - ⑦ 1/4" -20 UNC FLANGE TAPS FOR GROUNDING.
 - 8. OFFERED IN 150# AND 300# FLANGES.
 - 9. CARBON STEEL BODY AND FLANGES.

* (4 WIRE, 1000 ohm, PLATINUM, MATCHED TO .15 DEG F)

	VERIS Flow Measurement Group armstronginternational.com/veris	ARMSTRONG ELECTROMAGNETIC BTU FLOWMETER	
		DATE: 10/20/2019 SCALE: NTS	DWG. NO. AMF-BTU REV: A PAGE 1 OF 1
5820 Glacier Way Frederick, CO 80516 USA Phone: (303) 652-8550 Fax: (303) 652-8552			