

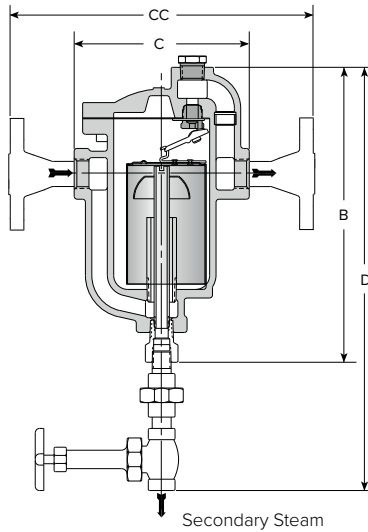


# 80-DC Series Automatic Differential Condensate Controllers

Cast Iron for Horizontal Installation

For Pressures to 17 bar...Capacities to 9 000 kg/h

Steam Trapping and Steam Tracing Equipment



## Description

Armstrong automatic differential condensate controllers (DC) are designed to function on applications where condensate must be lifted from a drain point or in gravity drainage applications where increased velocity will aid in condensate drainage.

When lifting from the drain point, often referred to as syphon drainage, the reduction in pressure that occurs when the condensate is elevated causes a portion of it to flash back into steam.

Ordinary steam traps, unable to differentiate between flash steam and live steam, close and impede drainage. Increased velocity with gravity drainage will aid in drawing the condensate and air to the DC. This increased velocity is caused by an internal steam by-pass, controlled by a manual metering valve, so the condensate controller will automatically vent the by-pass or secondary steam. This is then directed to the condensate return line or collected for use in other heat exchangers.

## Maximum Operating Conditions

Maximum allowable pressure (vessel design): 17 bar @ 232°C  
 Maximum operating pressure: 17 bar  
 Maximum back pressure: 99% of inlet pressure

## Connections

Screwed BSPT and NPT  
 Flanged DIN or ANSI (screw on)

## Materials

Body: ASTM A48 Class 30  
 Internals: All stainless steel – 304  
 Valve and seat: Stainless Steel 17-4PH  
 Metering valve – Stainless steel.  
 Fittings metering valve: Fittings 250# malleable iron.

## Specification

Automatic differential condensate controller, type ... in cast iron.  
 Maximum allowable back pressure 99% of inlet pressure.

## How to Order

- Specify model number
- Specify size and type of pipe connection
- Specify maximum working pressure that will be encountered or orifice size
- Specify any options required

**Table ST-124-1. 80-DC Series Side Inlet, Side Outlet Differential Condensate Controllers (dimensions in mm)**

Model No.	81-DC	82-DC	83-DC	84-DC	85-DC	86-DC
Inlet & Outlet Connections	20	20	25	32	50	50
Secondary Steam Connection	3/8"	1/2"	1/2"	3/4"	1"	1 1/2"
"B" Height	203	267	330	381	445	584
"D" Height (valve included)	337	445	476	552	610	813
"C" Face-to-Face (screwed)	127	165	197	229	260	330
"CC" Face-to-Face (flanged PN40*)	191	229	261	355	398	468
Weight in kg (screwed)	3,4	7,9	13,7	21,3	34,0	63,0
Weight in kg (flanged PN40*)	5,3	9,4	15,3	25,5	39,0	69,0

\* Other flange sizes, ratings and face-to-face dimensions are available on request.

Shade indicates products that are CE Marked according to the PED (2014/68/UE), but PMA for 86-DC is 15 bar. All the other models comply with the Article 4.3 of the same directive.

+ May be derated depending on flange rating and type.

**All dimensions and weights are approximate. Use certified print for exact dimensions. Design and materials are subject to change without notice.**

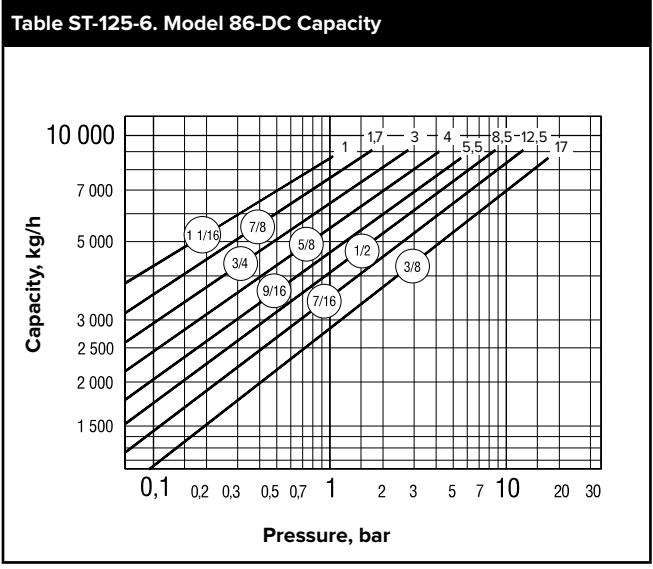
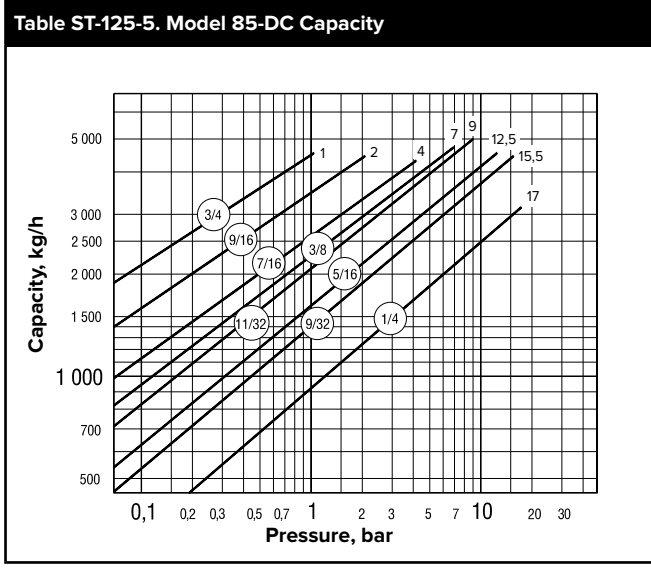
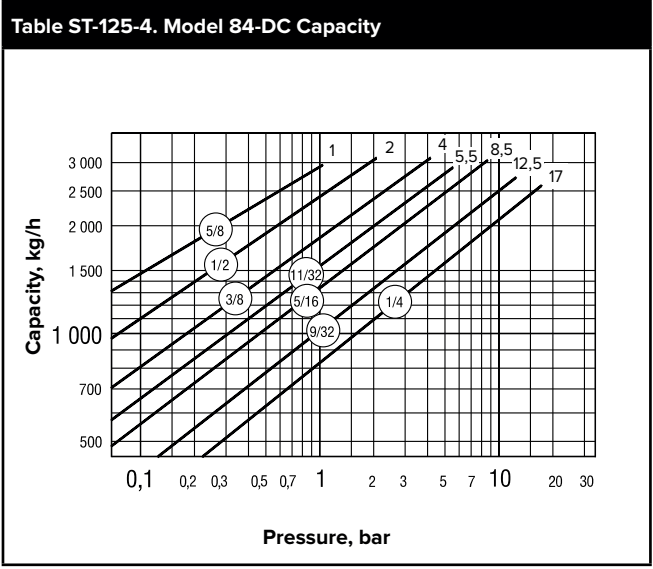
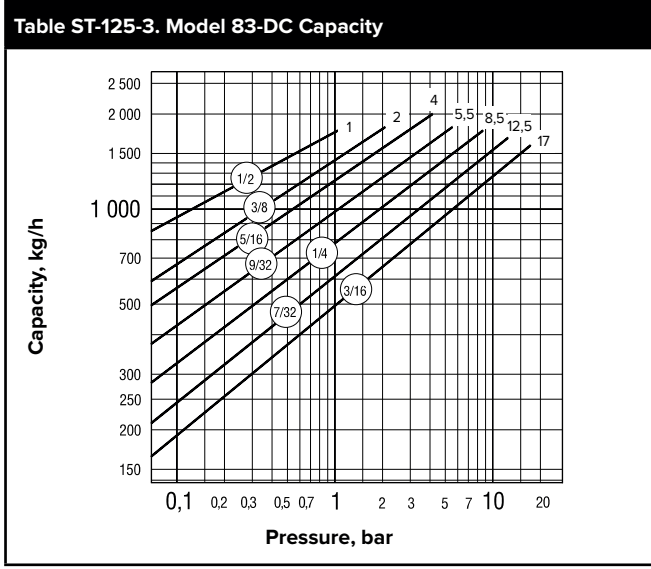
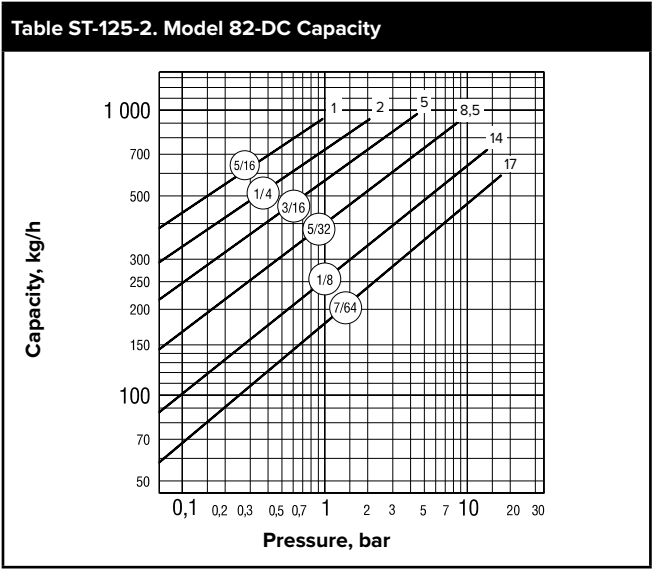
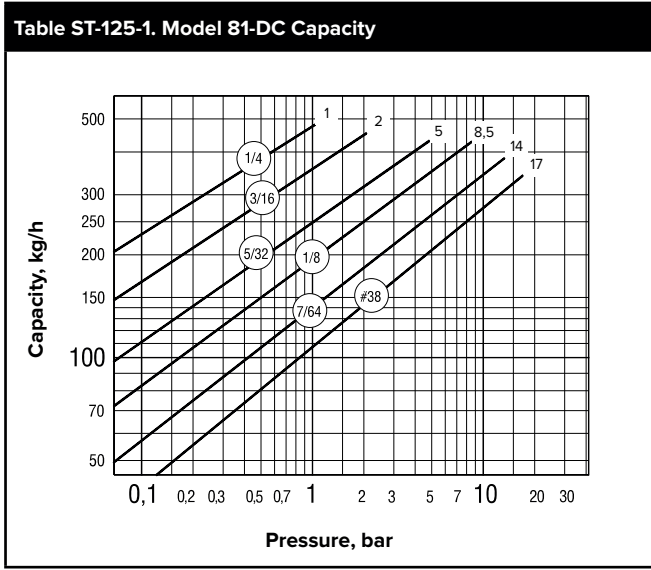
# 80-DC Series Automatic Differential Condensate Controllers

Cast Iron for Horizontal Installation

For Pressures to 17 bar...Capacities to 9 000 kg/h



Steam Trapping and  
Steam Tracing Equipment



All dimensions and weights are approximate. Use certified print for exact dimensions. Design and materials are subject to change without notice.