



Water Temperature Control - Groups of Fixtures

Thermostatic

Model 320D

A derivative of the standard Model 320 Thermostatic Mixing Valve for institutional group fixture control. Compact design with top and/or bottom blended water outlet makes Model 320 ideal for recessed enclosure, plumbing chase and utility/mechanical room installation.

Factory supplied pre-plumbed and pressure-tested Model 320D is supplied as standard with inlet check valves, strainers, unions, isolations valves and outlet thermometer and stop valve*.

*Model 320D is supplied with top outlet and can be site reconfigured for bottom outlet applications.

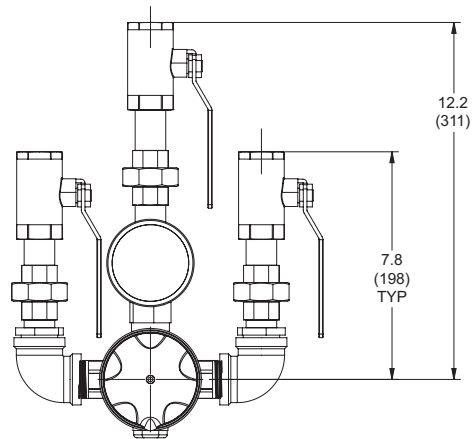
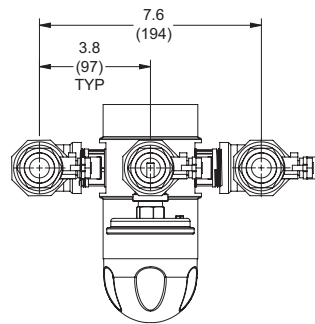
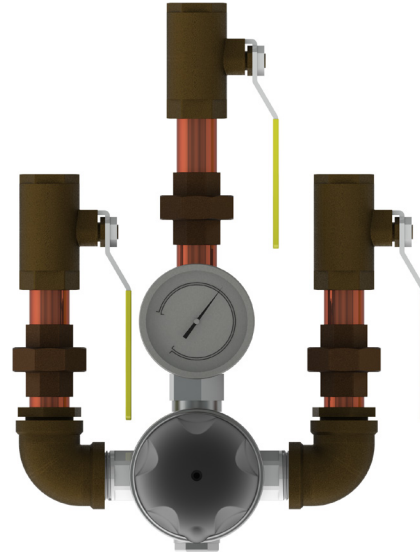
Operational Specifications

- Dual thermostatic elements provide redundancy in the event of individual thermostat failure.
- Typical outlet temperature control $\pm 2^{\circ}\text{F}$
- Adjustable maximum temperature limit stop
- Adjustable single temperature lockout
- Thermal shutdown mode upon inlet supply failure

Technical Specifications

- 3/4" NPT inlets and 3/4" NPT outlet
- Chrome plated brass/polymer construction with self finish brass and bronze lead free components
- Lead Free compliant
- Operating pressures
 - Maximum: 150 psi (10 bar)
 - Minimum: 10 psi (.7 bar)
- Inlet check valves, strainers, unions and isolation valves
- Fitted with outlet thermometer and isolation valve
- ASSE 1017 and CSA B125 certified
- Shipping weight 18 lbs (8.1 kg)

For a submittal drawing, refer to D61051.



Thermostatic Mixing Valves (GPM and PSI)												
Model 320D	Pressure Drop (PSI)										Min. Flow	C _v
	5	10	15	20	25	30	35	40	45	50		
GPM	8	11	13	15	17	19	20	22	23	24	1.0	3.4

Thermostatic Mixing Valves (LPM and BAR)												
Model 320D	Pressure Drop (BAR)										Min. Flow	C _v
	0.3	0.7	1.0	1.4	1.7	2.1	2.4	2.8	3.1	3.4		
LPM	30.3	41.6	49.2	56.8	64.4	71.9	75.7	83.3	87.1	90.8	3.8	3.4