



**Armstrong-Hunt, Inc.**

1 Armstrong Road, Milton, Florida 32570 • Telex 603974 ARMCOIL MLTO • Phone (904) 626-0051

---

# STEAM COILS

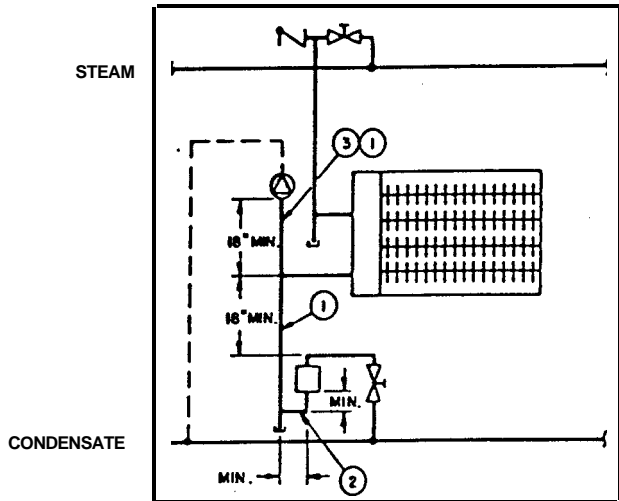
## RECOMMENDED PRACTICE

FOR  
PIPING LAYOUT  
AND  
TRAP SELECTION

# RECOMMENDED PIPING FOR CONSTANT STEAM PRESSURE

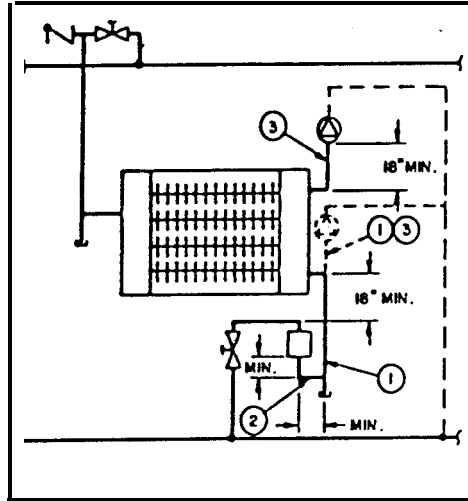
HORIZONTAL • SAME END CONNECTIONS

TYPICAL MODELS: CH, CVV, CTH, CTVV



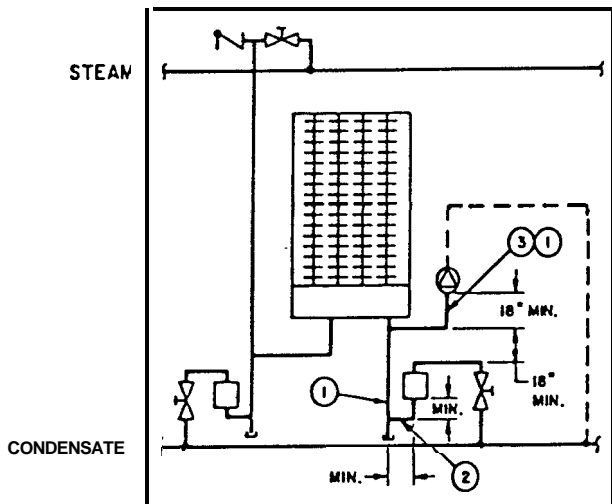
HORIZONTAL • OPPOSITE END CONNECTION

TYPICAL MODELS: SH, SVV, TH, TVV



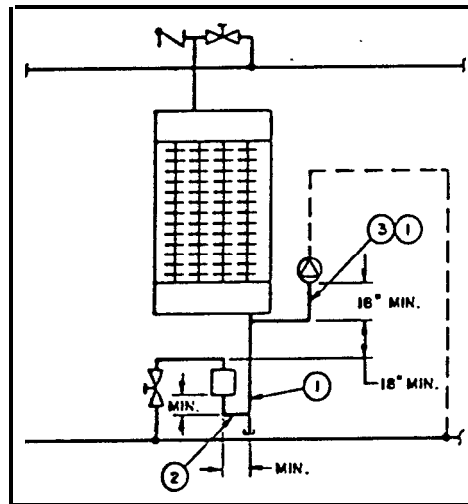
VERTICAL • SAME END CONNECTIONS

TYPICAL MODELS: CV, CTV



VERTICAL- OPPOSITE END CONNECTIONS

TYPICAL MODELS: SV, TV



LEGEND :

VALVE - FULL PORT

STEAM TRAP

CHECK VALVE

VACUUM BREAKER

DIRT POCKET

ATMOSPHERIC DRAIN

AUTOMATIC OR CONTINUOUS AIR VENT

MIN. MINIMUM

① COIL CONNECTION PIPE SIZE

② STEAM TRAP CONNECTION PIPE SIZE

③ NO INSULATION

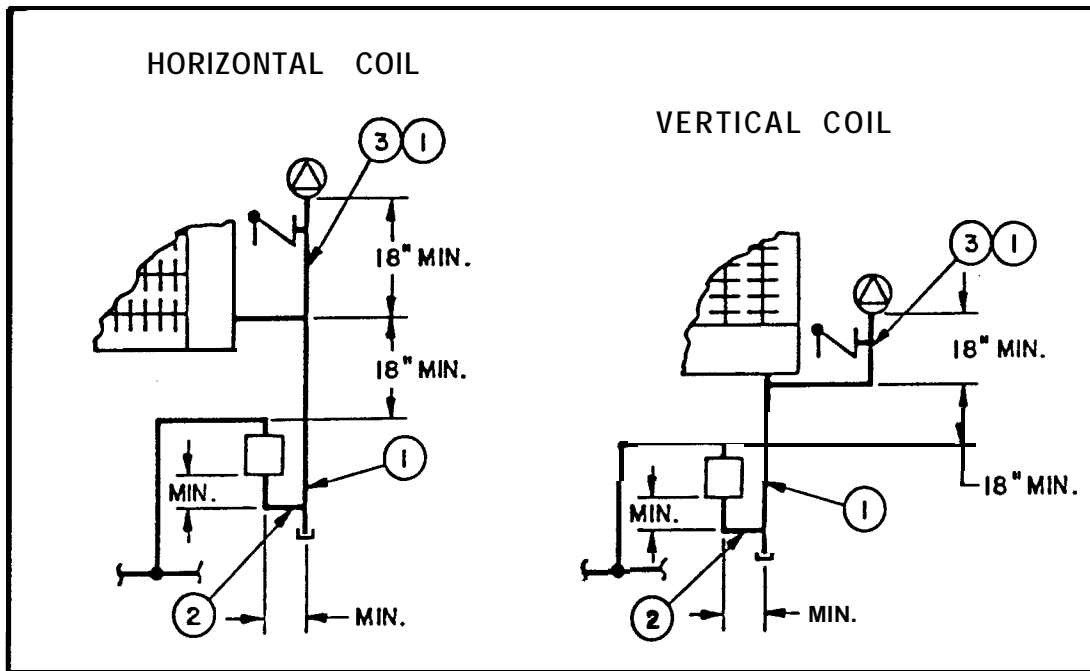
--- OPTIONAL

**COILS WITH 2 CONDENSATE CONNECTIONS REQUIRE DUPLICATE PIPING TO THAT SHOWN. TYPICAL MODELS TV, CTV, TVV, CTVV.**

**NOTE: THESE RECOMMENDATIONS SHOW THE COMPONENTS REQUIRED FOR OPTIMUM STEAM COIL PERFORMANCE. VALVES, UNIONS AND STRAINERS WHICH WILL EASE MAINTENANCE AND REPAIR HAVE BEEN OMITTED FOR CLARITY. SEE ARMSTRONG M-101 FOR PROPER LOCATION OF THESE COMPONENTS.**

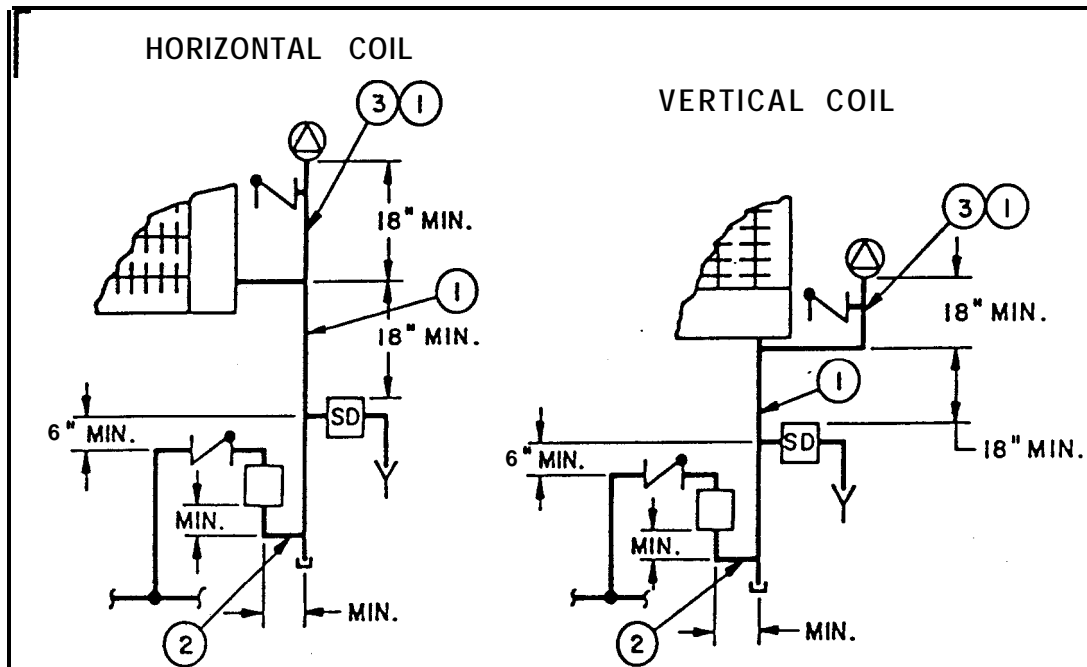
# RETURN PIPING FOR MODULATING STEAM SERVICE

## A) OPEN RETURN OR HIGH PRESSURE SERVICE \* 1



## B) CLOSED OR OVERHEAD RETURN ON LOW-PRESSURE SERVICE \* 2 SAFETY DRAIN SYSTEM REQUIRED (SD)

SEE ARMSTRONG M-101 PAGE 22



\* 1 STEAM SUPPLY PRESSURE NEVER MODULATES BELOW RETURN LINE PRESSURE.

\* 2 STEAM SUPPLY PRESSURE DOES MODULATE BELOW RETURN OR HEAD PRESSURE.