

# GD-24

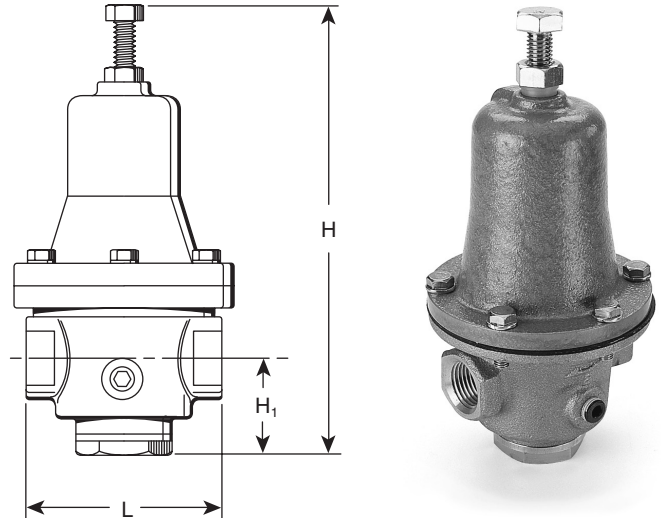


## For Non-Potable Water Service Only

An industrial-grade valve for non-potable water systems, the GD-24 is lightweight, compact and economical. Comes with screwed connections and will mount in any position. Requires no external sensing lines. Bronze body and high temperature diaphragm suitable for hot or cold process water service. Valve, seat and diaphragm are renewable in line. External adjusting screw with lock. Six sizes, 1/2" through 2". ANSI Class IV shutoff.

**Illegal for potable water service per SDWA section 1417 (As Amended).**

For a fully detailed certified drawing, refer to CDY #1023.



Pressure and Temperature Controls

GD-24 Specifications								
Application	Maximum Pressure psig (bar)	Reduced Pressure Range psig (bar)	Minimum Differential psig (bar)	Maximum Temperature °F (°C)	Materials			
					Body	Main Valve	Valve Seat	Diaphragm
Hot or Cold Water	20 - 230 (1.3 - 16)	7 - 80 (.48 - 5.5)	7 (.48)	175* (79)	Cast Bronze ASTM 584		Stainless Steel AISI 304	NBR**

\*With Viton® diaphragm maximum temperature is 210°F (99°C).

\*\*Viton optional.

GD-24 Capacities—Water							GD-24 Capacities—Water						
ΔP	gpm						ΔP	l/min					
	Connection Size							Connection Size					
	in							mm					
DP (psig)	1/2	3/4	1	1-1/4	1-1/2	2	DP (bar)	15	20	25	32	40	50
7	4	5	8	11	19	26	0.5	15	20	30	40	70	100
10	5	6	9	13	22	32	0.7	18	24	36	48	84	120
15	6	8	12	15	27	39	1.0	22	29	44	59	103	147
25	8*	10	15	20	35	50	1.7	30*	38	57	76	132	189
50	11	14*	21	28	49	71	3.4	40	53*	80	107	187	268
75	13	17	26*	35	61*	87	5.2	49	66	98*	131	231*	328
100	15	20	30	40*	70	100*	6.9	57	76	114	151*	265	378*
125	17	22	34	45	78	112	8.6	63	85	127	169	296	423
150	18	24	37	49	86	122	10.3	70	93	139	185	325	464
175	20	26	40	53	93	132	12.0	75	100	150	200	351	501
200	21	28	42	57	99	141	13.8	80	107	161	214	375	535

\*At flows greater than this, velocities will exceed 10 ft/sec and pipe erosion could occur.

NOTE: Maximum pressure reduction ratio 10:1.

GD-24 Dimensions and Weights																
Symbol	Connection Size															
	in		mm		in		mm		in		mm		in		mm	
	1/2	15	3/4	20	1	25	1-1/4	32	1-1/2	40	2	50				
L	3-1/4	83	3-1/2	89	4	102	4-3/4	121	6	152	7-1/4	184				
H <sub>1</sub>	1-3/4	45	2	51	2-1/2	64	3-1/4	83	3-1/2	89	4-1/2	115				
H	7-3/4	197	8-1/2	216	9-5/8	245	11-1/4	286	13-1/2	343	16	407				
Wt, lb (kg)	4	(1.8)	5-1/4	(2.4)	7-1/4	(3.3)	10-3/8	(4.7)	18	(8.2)	31-1/2	(14.3)				
C <sub>v</sub>	1.5		2		3		4		7		10					

Designs, materials, weights and performance ratings are approximate and subject to change without notice. Visit [armstronginternational.com](http://armstronginternational.com) for up-to-date information.