

GD-10, GD-10F, AF-10

For Air and Non-Corrosive Gases

The GD-10/10F is a lightweight direct acting diaphragm valve used primarily for pneumatic tool air supply and non-hazardous gas regulation. Screwed connections make it easy to support in position without external sensing lines or other parts. Zinc or aluminum bodies eliminate rust and scale. Plug, seat and diaphragm are renewable in-line, and you can make quick adjustments externally with locking handle. Quarter-inch pressure gauge connection is standard, and all units are capable of tight shutoff for dead-end service.

GD-10 available in sizes 1/4" - 2." Highly efficient Model AF-10 air filters with zinc or aluminum bodies are used to remove liquids and solid particles from compressed air. The AF-10 is available in sizes 1/4" - 1"

For a fully detailed certified drawing, refer to list below.

GD-10 CDY #1003

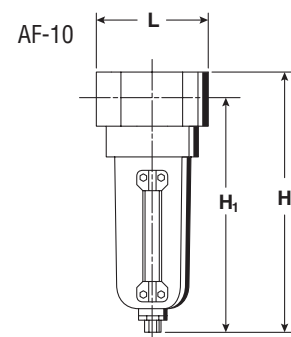
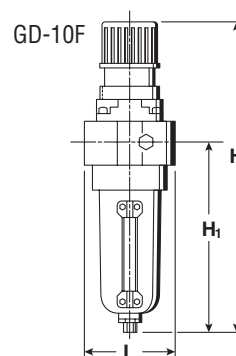
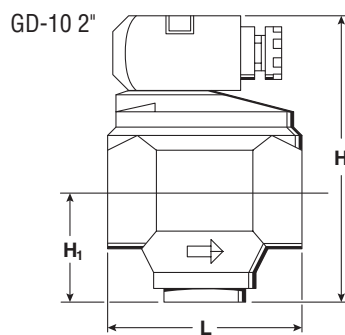
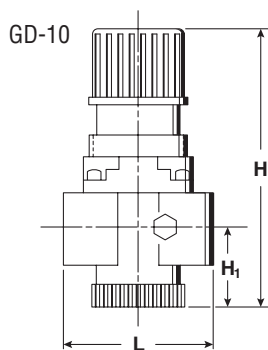
GD-10F CDY #1002

AF-10 CDY #1004

GD-10/GD-10F/AF-10 Specifications										
Model	Application	Inlet Pres. psig (bar)	Reduced Pressure psig (bar)	Min. Differ. psig (bar)	Max. Temp. °F (°C)	Materials				
						Body in (mm)	Bowl	Main Valve in (mm)	Valve Plug in (mm)	Diaphragm
GD-10	Air and Other Non-Corrosive Gases	15 - 300 (1 - 20)	5 - 125 (.34 - 8.6)	7 (.48)	175 (79)	Zinc 1/4, 3/8, 1/2, 3/4 (6, 9, 15, 20) Aluminum 1 - 2 (25 - 50)	—	Zinc 1/4, 3/8, 1/2, 3/4 (6, 9, 15, 20) Aluminum 1 - 2 (25 - 50)	Brass 1/4, 3/8, 1/2, 3/4 (6, 9, 15, 20) Nylon 1 - 2 (25 - 50)	Nitrile
GD-10F		15 - 250 (1 - 17)	5 - 125 (.34 - 8.6)	7 (.48)		Zinc	—	Brass	Nitrile	
AF-10		0 - 250 (0 - 17)	—	—		Zinc 1/4, 3/8, 1/2, 3/4 (6, 9, 15, 20) Aluminum 1 (25)	—	—	—	

Pressure and Temperature Controls

GD-10 Dimensions and Weights												
Symbol	Connection Size											
	in	mm	in	mm	in	mm	in	mm	in	mm	in	mm
	1/4	8	3/8	10	1/2	15	3/4	20	1, 1-1/4, 1-1/2	25, 32, 40	2	50
L	2-5/8	67	2-5/8	67	2-5/8	67	3-1/2	98	4-1/4	108	6	152
H	5-3/8	136	5-3/8	136	5-3/8	136	5-7/8	149	7-1/8	181	9-3/4	248
H ₁	1-1/2	38	1-1/2	38	1-1/2	38	1-1/2	38	2-3/8	60	3-9/16	90
Wt, lb (kg)	1-1/2 (.7)		1-1/2 (.7)		1-1/2 (.7)		2 (.9)		3 (1.4)		10 (4.5)	
C _v	1.4		1.4		1.4		2.6		5.8		43	



GD-10/GD-10F Capacities—Air

scfm						m ³ /hr					
Inlet	Outlet	Connection Size				Inlet	Outlet	Connection Size			
		in						mm			
		psig		1/4, 3/8, 1/2	3/4			1*, 1-1/4, 1-1/2	2**	bar	
15	8	19	35	78	580	1.0	0.6	32	60	133	985
30	23	24	44	98	727	2.0	1.6	40	75	167	1,235
	15	33	61	136	1,011		1.0	56	104	232	1,718
40	5 - 7	38	70	157	1,166	2.8	.34 - 48	64	120	267	1,981
	33	26	49	109	810		2.3	45	83	186	1,377
	20	42	77	173	1,280		1.4	71	131	293	2,174
50	5 - 12	46	86	192	1,427	3.4	.34 - 83	79	147	327	2,424
	40	34	63	141	1,046		2.8	58	107	240	1,777
	30	46	86	191	1,416		2.1	78	145	324	2,405
75	5 - 17	55	102	228	1,687	5.2	.34 - 1.17	93	173	387	2,867
	60	49	91	203	1,503		4.1	83	154	344	2,553
	45	66	123	273	2,026		3.1	112	208	464	3,442
100	7 - 30	76	141	316	2,339	6.9	.48 - 2.1	129	240	536	3,975
	80	64	118	264	1,958		5.5	108	201	449	3,327
	60	86	159	355	2,634		4.1	146	271	604	4,475
125	10 - 42	97	181	403	2,991	8.6	.69 - 2.9	165	307	686	5,082
	100	79	146	326	2,413		6.9	134	248	553	4,101
	75	106	196	437	3,241		5.2	179	333	743	5,507
150	13 - 55	119	220	491	3,643	10.3	.89 - 3.8	202	374	835	6,190
	120	93	173	387	2,868		8.3	159	295	657	4,873
	85	129	240	535	3,967		5.9	219	408	909	6,741
175	15 - 67	140	260	579	4,295	12.1	1.03 - 4.6	238	441	984	7,298
	125	126	235	524	3,884		8.6	215	399	890	6,599
	100	149	276	617	4,573		6.9	253	470	1,048	7,769
200	18 - 80	161	299	667	4,947	13.8	1.24 - 5.5	274	508	1,134	8,405
	125	161	298	666	4,934		8.6	273	507	1,131	8,383
	20 - 92	182	339	755	5,599		1.38 - 6.3	310	575	1,283	9,513
250†	25 - 125	225	417	931	6,903	17.2†	1.7 - 8.6	382	709	1,582	11,729
300	30 - 125	267	496	1,107	8,207	20.0	2.1 - 8.6	454	843	1,881	13,944
350**	35 - 125	—	—	—	9,511	24.1**	2.4 - 8.6	—	—	—	16,159
425**	43 - 125	—	—	—	11,467	29.3**	3.0 - 8.6	—	—	—	19,482

* GD-10F not available above 3/4" (20 mm).

** 2" (50 mm) GD-10 valve maximum inlet pressure is 425 psi (30 bar).

† GD-10F has a maximum inlet pressure of 250 psi (17 bar).

GD-10F Dimensions and Weights

Symbol	Connection Size							
	in		mm		in		mm	
	1/4	8	3/8	10	1/2	15	3/4	20
L	2-3/4	70	2-3/4	70	2-3/4	70	3-7/8	98
H	9-3/8	238	9-3/8	238	9-3/8	238	10-7/8	276
H ₁	5-3/4	146	5-3/4	146	5-3/4	146	6-3/8	162
Wt, lb (kg)	2-1/2 (1.2)		2-1/2 (1.2)		4-1/2 (2.0)		4-1/2 (2.0)	
C _v	1.4				2.6			

AF-10 Dimensions and Weights

Symbol	Connection Size											
	in		mm		in		mm		in		mm	
	1/4	8	3/8	10	1/2	15	3/4	20	1	25		
L	2-3/4	70	2-3/4	70	2-3/4	70	3-7/8	98	4-3/4	121		
H	6-3/8	162	6-3/8	162	6-3/8	162	7	178	11-3/8	289		
H ₁	5-3/4	146	5-3/4	146	5-3/4	146	6-3/8	162	10	254		
Wt, lb (kg)	2 (.9)					3 (1.4)						

