



Repair and Adjustment A-8991 Seal Kit

This bulletin should be used by experienced personnel as a guide to the replacement of the Armstrong A-8991 Seal Kit. Selection or installation of equipment should always be accompanied by competent technical assistant. We encourage you to contact Armstrong or its local representative if further information is required.

The Armstrong A-8991 Seal Kit contains all the items required to replace steam and air seals in the Armstrong C-1801 pneumatic operator and all other bonnet assemblies. When the kit is used on bonnets other than the C-1801 operator there will be additional parts left over after the repair. Note: The replacement seal arrangement may be different than the existing. Do not reuse any old seals or spacers. A silicone based lubricant on the valve stem is recommended during reassembly. Please refer to Figures 2-1 and 2-2.

Note: With bonnets other than C-1801, there will be additional parts left over after the repair.

If further information is required, we encourage you to contact Armstrong or your local representative.

Table 1-1. Seal Kit Parts			
Quantity	Description	Drawing Number	Part Number
1	Seals	A6321A	010530212
1	Seal Spacer	A5522C	010530301
2	Washers	A8797	010450079
2	Snap Rings	A8798	010450061
2	Quad Rings	A6380	010555006

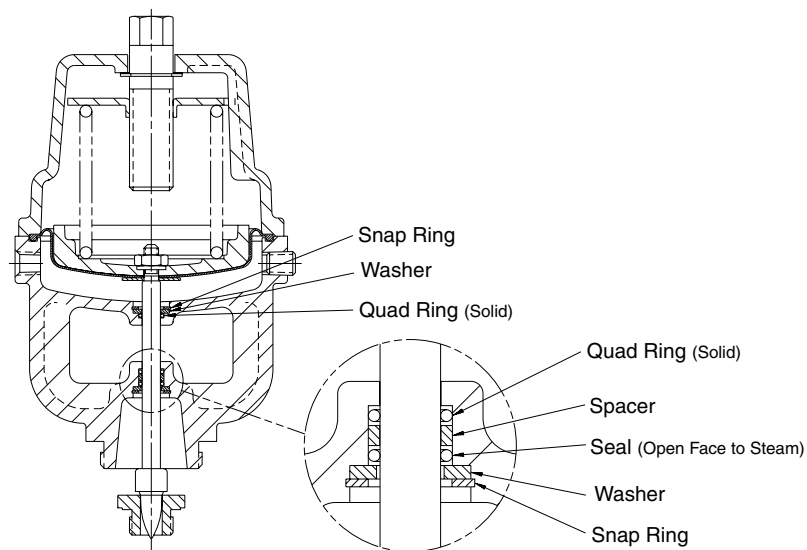


Figure 1-1. Armstrong C-1801 Operator

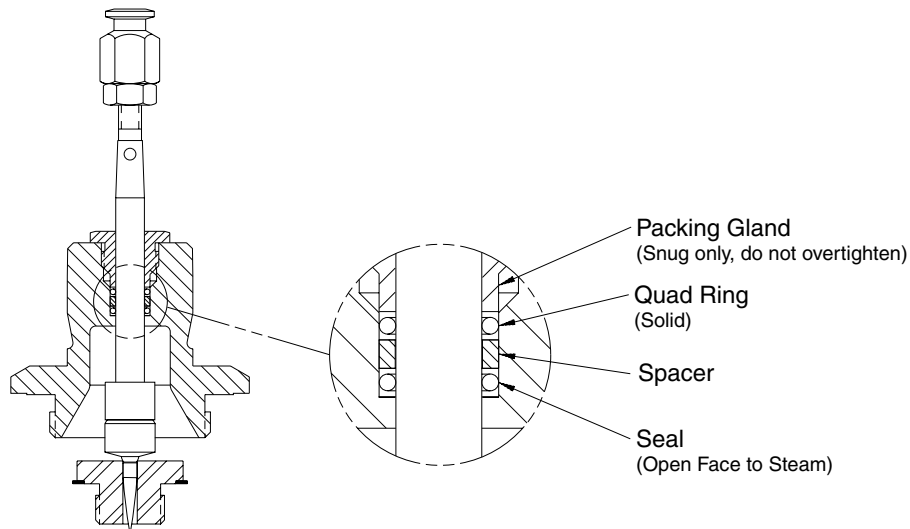


Figure 2-1. Bonnets with packing gland.

Note: With bonnets other than Armstrong C-1801, there will be additional parts left over after the repair.

- For bonnets with a packing gland, there will be two (2) washers, two (2) snap rings and (1) quad ring that are not required.
- For bonnets without a packing gland there will be one (1) snap ring and (1) quad ring that are not required.

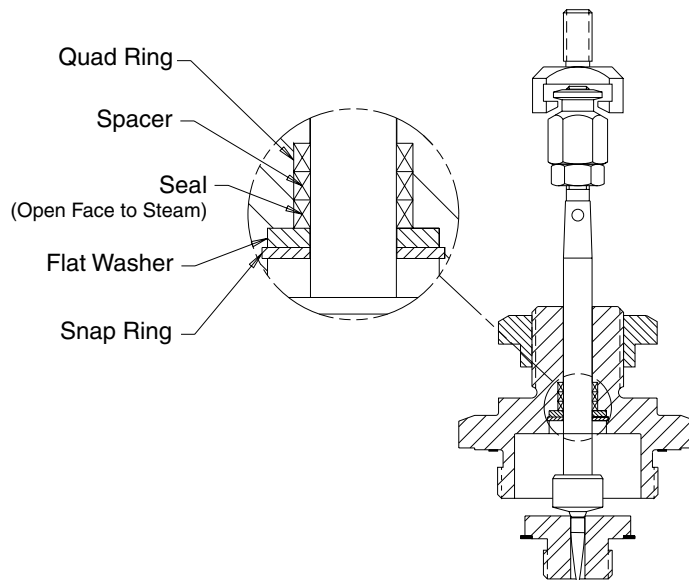


Figure 2-2. Bonnets without packing gland.