

DIMENSIONS & DATA CERTIFIED FOR:

Representative:

Order:

Customer:

Order:

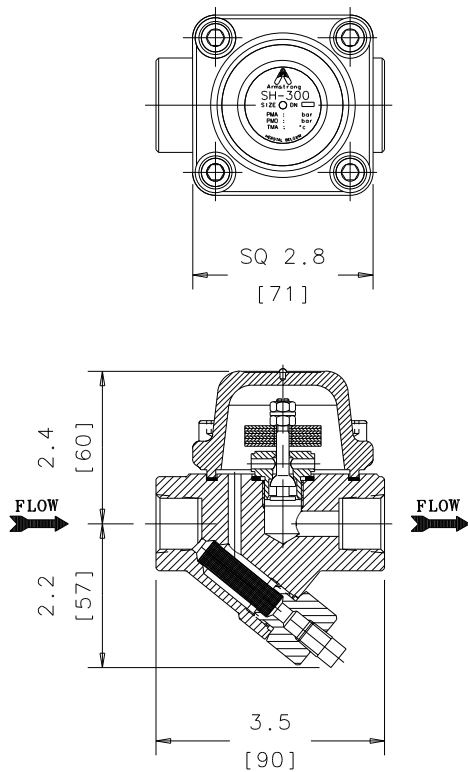
Project:

Requirements:

By:

Date:

LIST OF MATERIALS:



LIST OF MATERIALS	
NAME OF PART	MATERIAL
Body	ASTM A105N/ASTM A350 LF2 CL1
Cap	ASTM A105N/ASTM A350 LF2 CL1
Strainer Screen	304 stn stl
Gasket	Graphite
Screw	A2-70 STN STL
Screen retainer	ASTM A105N/LF2
Plug	316 Stn. Stl.
Label	304 Stn. Stl.
Screw drive(rivet)	Stn. Stl.
Element Assembly	
Valve	Aisi-440 C
Seat	303 Stn. Stl.
Bi-metal disk	RGR Nickel plated
Nuts	304 Stn. Stl.
Washer	Stn. Stl.
Gasket seat	Copper

*May be derrated depending on flange rating and type.

Maximum Allowable Pressure (Vessel Design)(*)	450 PSI [32 bar] at 650°F [350 °C]
Maximum Operating Pressure	319.0 psi [22 bar]

OPTIONS:	
CONNS. :	1/2 & 3/4 NPT
	1/2 & 3/4 BSPT
	1/2 & 3/4 SW


 Armstrong International, Inc.
 Belgium Division
 Herstal, Hauts Sart
 (0032) 240.90.90 Fax() 240.40.33
 Posted on Armstrong's homepage www.armstronginternational.com

Product	CD No.	Date
SH300 NPT/BSPT AND SW	2231	31/01/09
	Rev; C	By; A.MORTADA