

# DIMENSIONS & DATA CERTIFIED FOR:

Representative:

Order:

Customer:

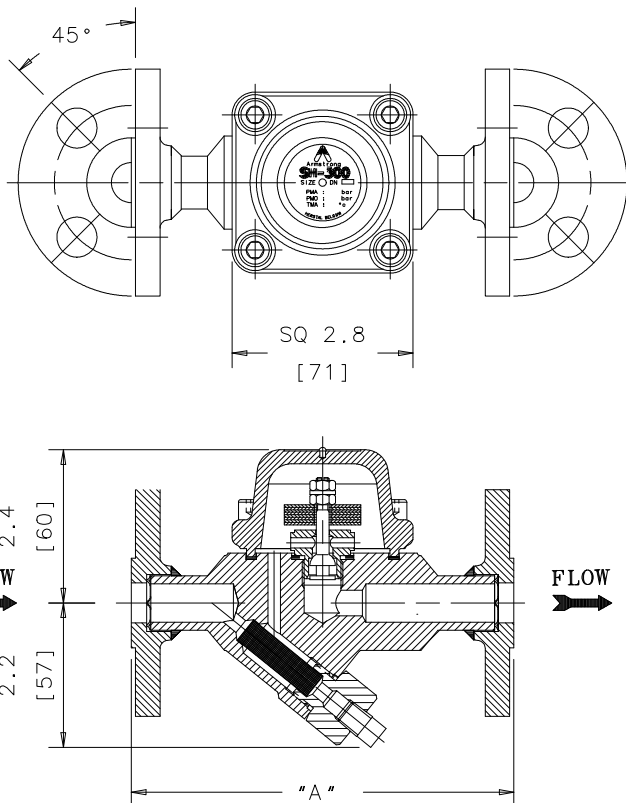
Order:

Project:

Requirements:

By:

Date:



CONNECTION SIZE	RATING	FACE TO FACE "A"	WEIGHT lb[kgs] ±1.1[0.5]
DN15 (1/2")	PN40	5.9 [150 mm]	5.58[2.5]
DN20 (3/4")		6.50[3.0]	
DN25 (1")		6.3 [160 mm]	5.00[2.3]
DN15 (1/2")	PN64	5.9 [150 mm]	5.58[2.5]
DN20 (3/4")		6.50[3.0]	
DN25 (1")		6.3 [160 mm]	7.69[3.5]
DN15 (1/2")	150	5.9 [150 mm]	7.61[3.4]
DN20 (3/4")		9.37[4.3]	
DN25 (1")		6.3 [160 mm]	12.02[5.5]
DN15 (1/2")	300	5.9 [150 mm]	10.25[4.6]
DN20 (3/4")		14.66[6.7]	
DN25 (1")		6.3 [160 mm]	17.75[8.1]
DN15 (1/2")	600	5.9 [150 mm]	11.13[5.1]
DN20 (3/4")		15.98[7.3]	
DN25 (1")		6.3 [160 mm]	10.91[5.0]

## LIST OF MATERIALS:

LIST OF MATERIALS	
NAME OF PART	MATERIAL
Body	ASTM A105N/ASTM A350 LF2 CL1
Cap	ASTM A105N/ASTM A350 LF2 CL1
Flange	ASTM A105N <input type="checkbox"/>
	C22.8 (1.0460) <input type="checkbox"/>
	ASTM-A350 LF2 CL1 <input type="checkbox"/>
Strainer Screen	304 stn stl
Gasket	Graphite
Screw	A2-70 STN STL
Screen retainer	ASTM A105N/LF2
Plug	316 Stn. Stl.
Label	304 Stn. Stl.
Screw drive(rivet)	Stn. Stl.
Element Assembly	
Valve	Aisi-440 C
Seat	303 Stn. Stl.
Bi-metal disk	RGR Nickel plated
Nuts	304 Stn. Stl.
Washer	Stn. Stl.
Gasket seat	Copper

\*May be derrated depending on flange rating and type.

Maximum Allowable Pressure (Vessel Design)(*)	450 PSI [32 bar] at 650°F [350 °C]
Maximum Operating Pressure	319.0 psi [22 bar]



Armstrong International, Inc.  
Belgium Division  
Herstal, Hauts Sart

**Armstrong** (0032) 240.90.90 Fax() 240.40.33  
Posted on Armstrong's homepage [www.armstronginternational.com](http://www.armstronginternational.com)

Product	CD No.	Date
SH300 DIN/ANSI FLANGED	2227	15/03/10
	Rev; D	By; G.MAIRE