

DIMENSIONS & DATA CERTIFIED FOR:

Representative:

Order:

Customer:

Order:

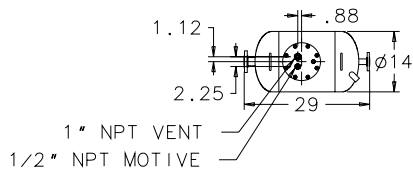
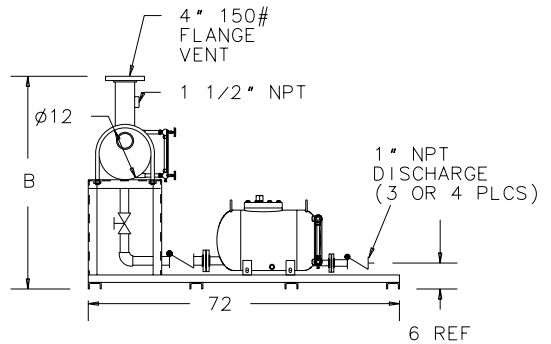
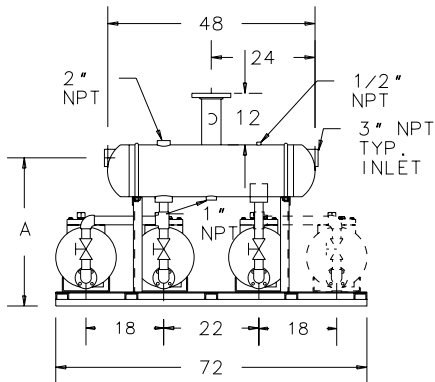
Project:

Requirements:

By:

Date:

DIMENSION	A	B
6" FILL HEAD	34	49
12" FILL HEAD	40	55
24" FILL HEAD	52	67



NOTES:

1. DRAWING SHOWS OPTIONAL GAUGE GLASSES.
2. RECEIVER ASME CODE 150 PSIG
3. RECEIVER VOLUME: APPROX. 22 GALLONS
4. FILL HEAD MUST BE SPECIFIED



Product

ENGLISH

CD No.

Date

TPT/QPT-DD6LBRP-12

WEB
YIN
X

CD2043

6/26/07

Rev: A

By: Matt Mc