

# DIMENSIONS & DATA CERTIFIED FOR:

Representative:

Order:

Customer:

Order:

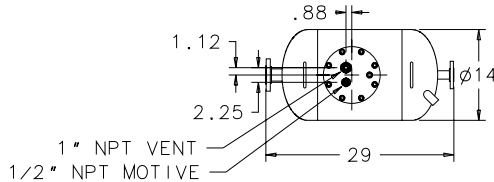
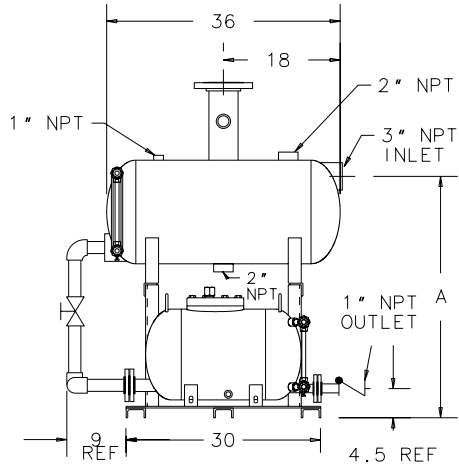
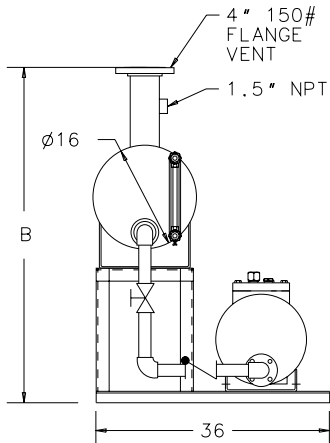
Project:

Requirements:

By:

Date:

DIMENSION	A	B
0" FILL HEAD	31	46
6" FILL HEAD	37	52
12" FILL HEAD	43	58
24" FILL HEAD	55	70



**NOTES:**

1. DRAWING SHOWS OPTIONAL GAUGE GLASSES.
2. RECEIVER ASME CODE 150 PSIG
3. RECEIVER VOLUME = APPROX. 30 GALLONS
4. FILL HEAD MUST BE SPECIFIED



Product	ENGLISH	CD No.	Date
SPT-DD6LBRP-16	WEB Y I N X	CD2040	6/26/07
		Rev: A	By: Matt Mc