

DIMENSIONS & DATA CERTIFIED FOR:

Representative:

Order:

Customer:

Order:

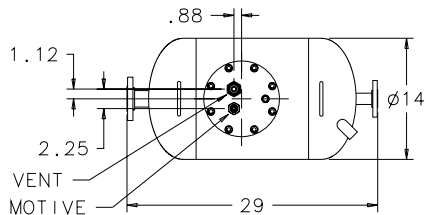
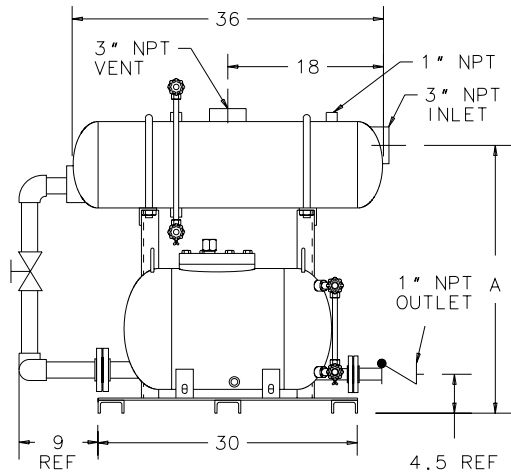
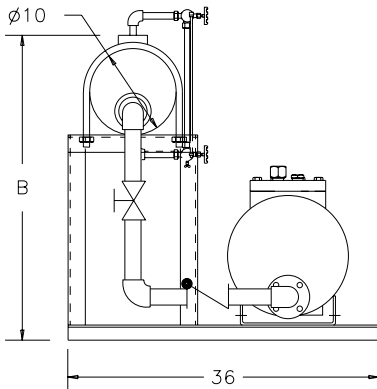
Project:

Requirements:

By:

Date:

DIMENSION	A	B
0" FILL HEAD	25	29
6" FILL HEAD	31	35
12" FILL HEAD	37	41
24" FILL HEAD	49	53



NOTES:

1. DRAWING SHOWS OPTIONAL GAUGE GLASSES.
2. RECEIVER ASME CODE 150 PSIG
3. RECEIVER VOLUME = APPROX. 10 GALLONS
4. SEE DRAWING CDF1038 FOR RECEIVER SIZING
5. FILL HEAD MUST BE SPECIFIED



Product

ENGLISH

CD No.

Date

SPT-DD6LBRP-10

WEB
Y|N
X

CD2039

6/26/07

Rev: A

By: Matt Mc