

DIMENSIONS & DATA CERTIFIED FOR:

Representative:

Order:

Customer:

Order:

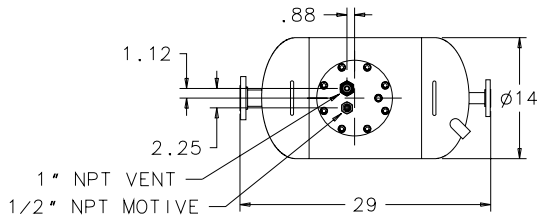
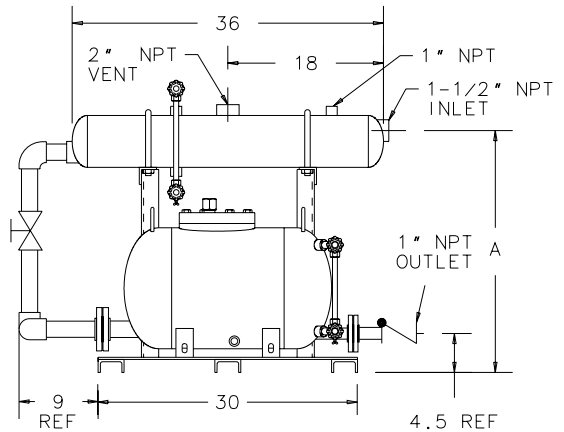
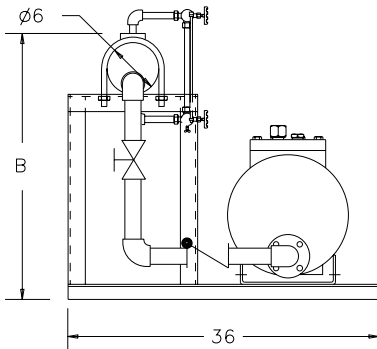
Project:

Requirements:

By:

Date:

DIMENSION	A	B
0" FILL HEAD	22	25
6" FILL HEAD	28	31
12" FILL HEAD	34	37
24" FILL HEAD	46	49



NOTES:

1. DRAWING SHOWS OPTIONAL GAUGE GLASSES.
2. RECEIVER ASME CODE 150 PSIG
3. RECEIVER VOLUME = APPROX. 4 GALLONS
4. SEE DRAWING CDF1038 FOR RECEIVER SIZING
5. FILL HEAD MUST BE SPECIFIED



Product

ENGLISH

CD No.

Date

SPT-DD6LBRP-6

WEB
YIN
X

CD2037

6/26/07

Rev: A

By: Matt Mc