

DIMENSIONS & DATA CERTIFIED FOR:

Representative:

Order:

Customer:

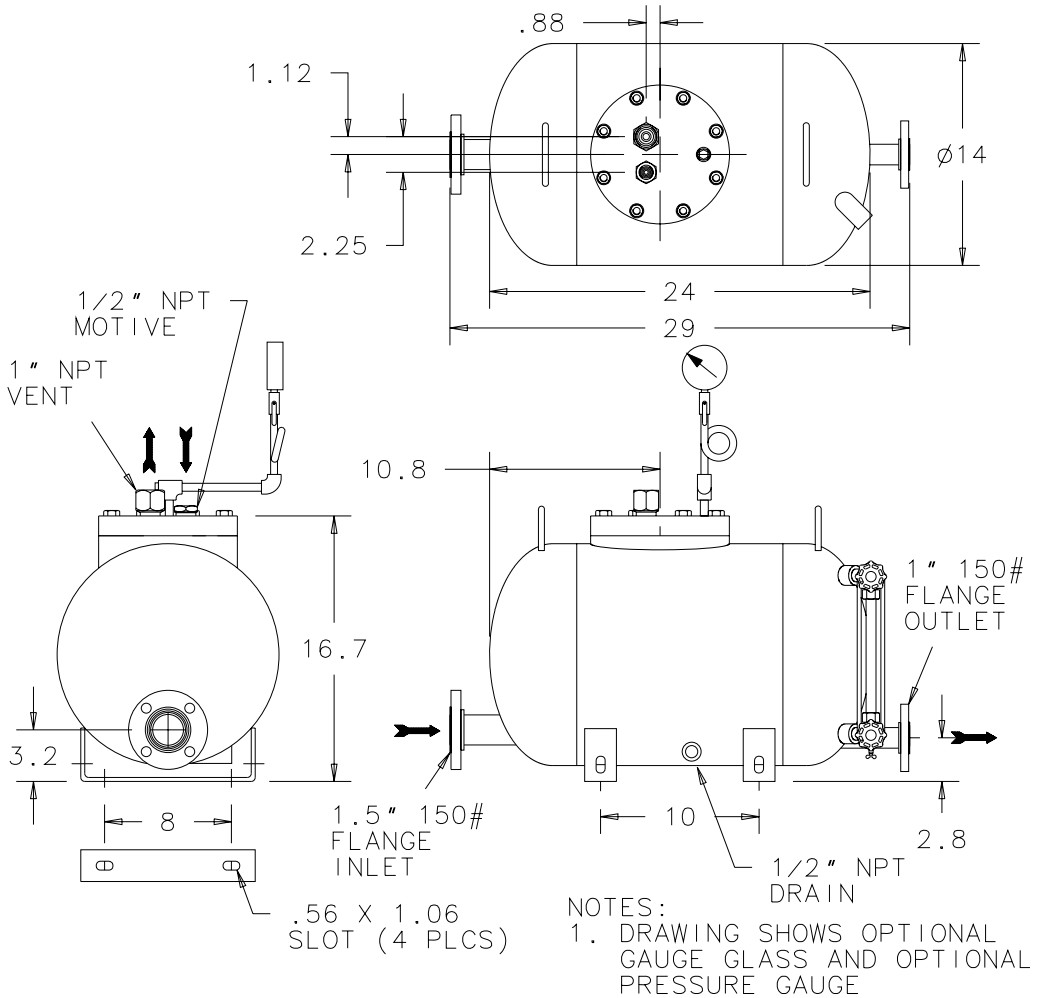
Order:

Project:

Requirements:

By:

Date:



Product
**DOUBLE DUTY
 DD6
 STEAM TRAP / PUMP**

ENGLISH

CD No.

Date

WEB
Y|N
x

CD2035

6/26/07

Rev: A

By: Matt Mc