

DIMENSIONS & DATA CERTIFIED FOR:

Representative:

Order:

Customer:

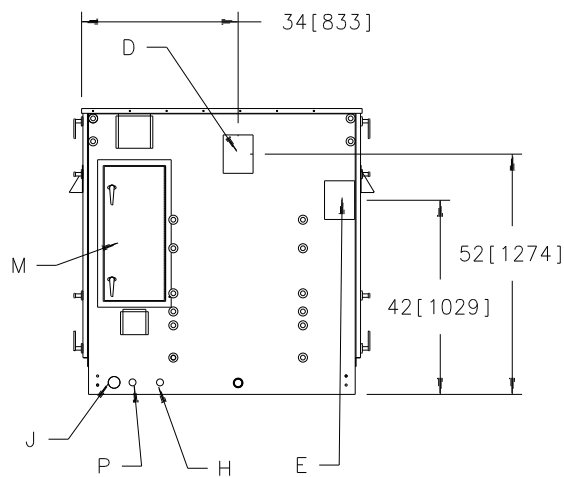
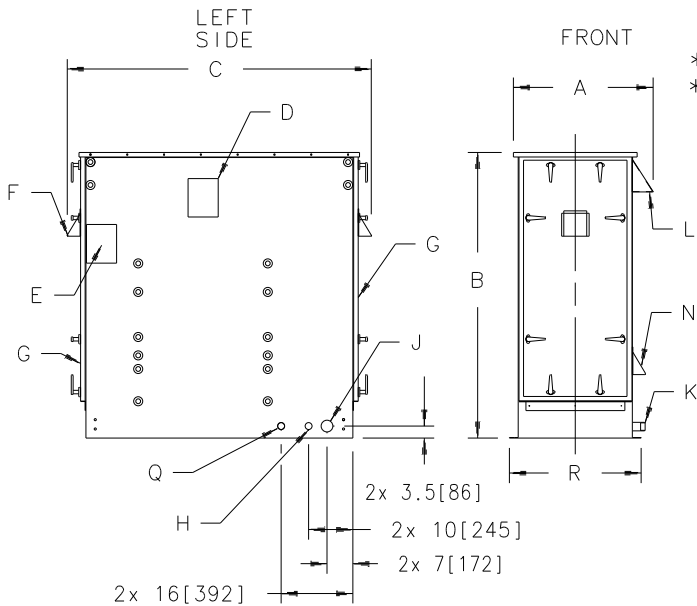
Order:

Project:

Requirements:

By:

Date:



RIGHT SIDE
GFHE 150 Shown

Dimensions Are In Inches[mm]

NAME OF PART	MATERIAL
Enclosure	12 GA. Galv. Steel
Tank/Heat Exchanger	304 Stn. Stl.
* Ionic Bed Module	Inert Fiber
* Ionic Bed Frame	304 Stn. Stl.
Lift Rings	1/2" Forged Steel
Panel Gaskets	Poron 4701-40
Tank Gasket	Closed Cell Silicone

* Not Used In DI/RO Applications

TECHNICAL INFORMATION

DISCRIPTION	GFHE MODEL NOS.		
	150	300	450
A Overall Width	30-5/16[770]	44 [1078]	58 [1473]
B Overall Height	62 [1575]		
C Overall Length	67 [1642]		
D Steam Outlet Access	2-3/8 OD[60] Or 4 Flg.[100]		
E Flue Piping Access	5 [127]		
F Combustion Air Intake Vent			
G Removable Access Door			
H Water	3/8 NPT [10]		
J Gas Line Inlet	1-1/2 NPT [40]		
K Emergency Drain	1" NPT [25]		
L Exhaust Vent			
M Electronics Access Door			
N Air Inlet Vent For Electronics			
P Electric Inlet			
Q Drain	3/4 [20] Copper Sweat		
R Width	29 [737]	42 [1067]	55 [1397]
Weights:			
Dry Wt.	900[408]	1135[515]	1275[578]
Wet Wt.	1305[592]	1830[830]	2405[1091]
Shipping Wt.	975[442]	1235[560]	1375[624]

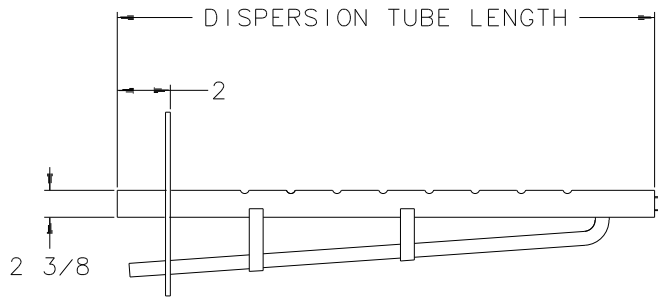
Capacities for Natural Gas			Options	
Model Number	Steam Capacity lb/hr	Max. Input kg/hr	btu/hr	
GFHE-150/GFHE-1500I	155	70	210,000	Dwyer Duct Pressure Switch <input type="checkbox"/>
GFHE-300/GFHE-3000I	315	143	420,000	Humidstat: High Limit ON/OFF <input type="checkbox"/>
GFHE-450/GFHE-4500I	475	215	630,000	Humidstat: High Limit MODULATING <input type="checkbox"/>
Capacities for Propane Gas				Temp-R-Drain <input type="checkbox"/>
GFHE-150/GFHE-1500I	150	68	200,000	Roof Curb <input type="checkbox"/>
GFHE-300/GFHE-3000I	308	140	400,000	0-10 Vdc Room or Duct Humidistat <input type="checkbox"/>
GFHE-450/GFHE-4500I	465	211	600,000	Natural Gas <input type="checkbox"/>
				Propane Gas <input type="checkbox"/>
				Dispersion Tubes <input type="checkbox"/>
				HumidiPack <input type="checkbox"/>


Standard Package Includes
Humidifier w/ Enclosure
Aquastat
Heat Pad & Sensor
Fan

Armstrong International, Inc.
 Three Rivers Division
 Three Rivers, MI 49093
 (269) 273-1415 Fax(269) 278-6555
 Posted on Armstrong's homepage www.armstrong-intl.com

Product	CD No.	Date
GAS FIRED HUMIDICLEAN GFHE SERIES	1314	1/16/06
Rev; A	By; Paul G.	

Selection Proper Steam Dispersion Tube								
Steam Disp. Tube Model No.	Steam Disp. Tube Length		Duct Width				Weight	
			Min.		Max.			
	in	mm	in	mm	in	mm	lb	kg
DL-1	12	304	11	279	16	406	3	1.4
DL-1.5	18	457	17	432	22	559	3	1.4
DL-2	24	609	23	584	34	864	4	2
DL-3	36	914	35	889	46	1168	6	3
DL-4	48	1219	47	1194	58	1473	8	3.6
DL-5	60	1524	59	1499	70	1778	9	4
DL-6	72	1829	71	1803	82	2030	10	4.5
DL-7	84	2133	83	2108	94	2388	11	5
DL-8	96	2438	95	2413	106	2693	12	5.5
DL-9	108	2743	107	2718	118	2998	13	6
DL-10	120	3048	119	3023	130	3302	14	6.4



 Armstrong International, Inc. Three Rivers Division Three Rivers, MI 49093 (269) 273-1415 Fax(269) 273-9500 Posted on Armstrong's homepage www.armstrong-intl.com		
Product	CD No.	Date
GAS FIRED HUMIDICLEAN GFHE	1314	3/13/06
	Sht. 2	Rev. A