

# DIMENSIONS & DATA CERTIFIED FOR:

Representative:

Order:

Customer:

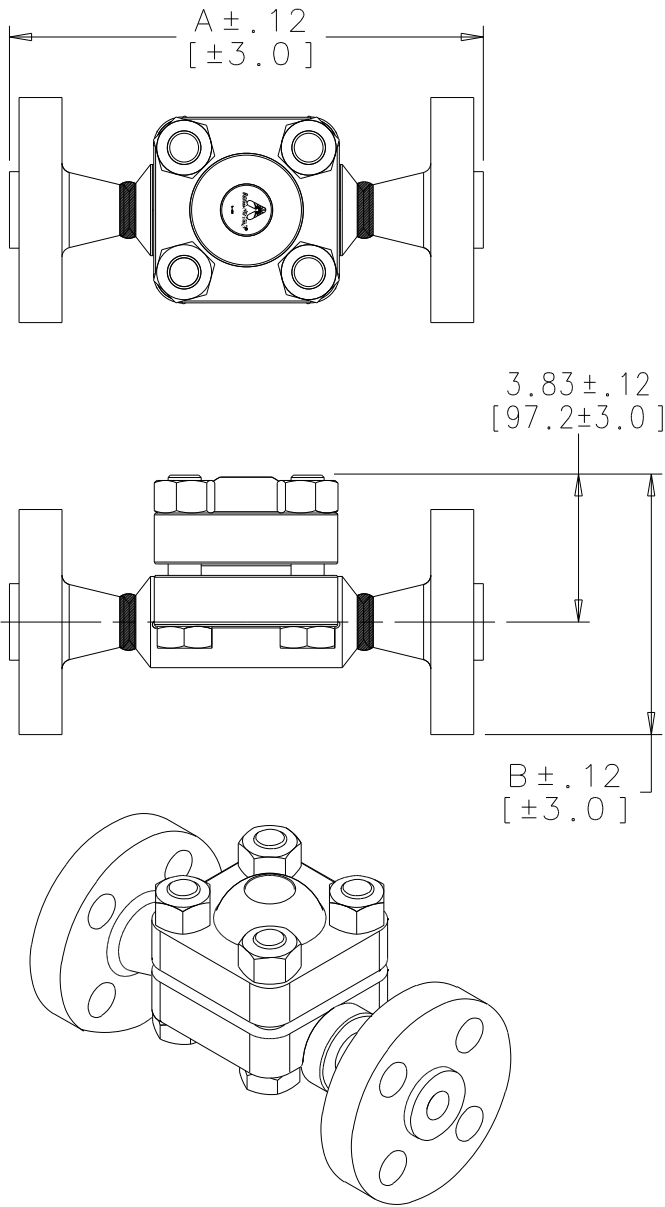
Order:

Project:

Requirements:

By:

Date:



## LIST OF MATERIALS:

NAME OF PART	MATERIAL
Body	ASTM A217 GR. C12A
Cap	
Flange	ASTM A182 GR. F91
Strainer Screen	Stn. Stl. .045 Perf.
Gasket	Graphite
Bolting	ASTM A193 Grade B8C
Nuts	ASTM A194 Grade 8C
Element Assy:	
Valve	Titanium
Seat	
Seat Nut	Stn. Stl.
Guide	
Elements	Ni-Cr
Spacer	Stn. Stl.
Pins	
End Cap	
Jam Nut	

## TECHNICAL INFORMATION

MODEL NO. SH1500

Pipe Conn.:

3/4 [DN20]	CL. 900/1500 SCH. 160 FLG
1" [DN25]	CL. 900/1500 SCH. 160 FLG

Dimensions:	A	B
3/4 [DN20]	12.00 [305.0]	6.43 [163.3]
1" [DN25]	12.24 [310.9]	6.81 [173.0]

Weight:

3/4 [DN20]	38 lbs [17.2 kgs]
1" [DN25]	40 lbs [18.1 kgs]

## DESIGN INFORMATION

Max. Allowable Pressure (Vessel Design)	1800 psig @ 1050 °F [124 bar @ 566 °C]
Min. Operating Pressure	600 psi [41 bar]
Max. Operating Pressure	1800 psi [124 bar]



**Armstrong**  
www.armstronginternational.com

Product

ENGLISH

CD No.

Date

BI-METALLIC TRAP  
MODEL SH1500 W/ FLANGES

WEB  
Y|N  
✓

1235

10/14/08

Rev; B

By; paulg