

# DIMENSIONS & DATA CERTIFIED FOR:

Representative:

Order:

Customer:

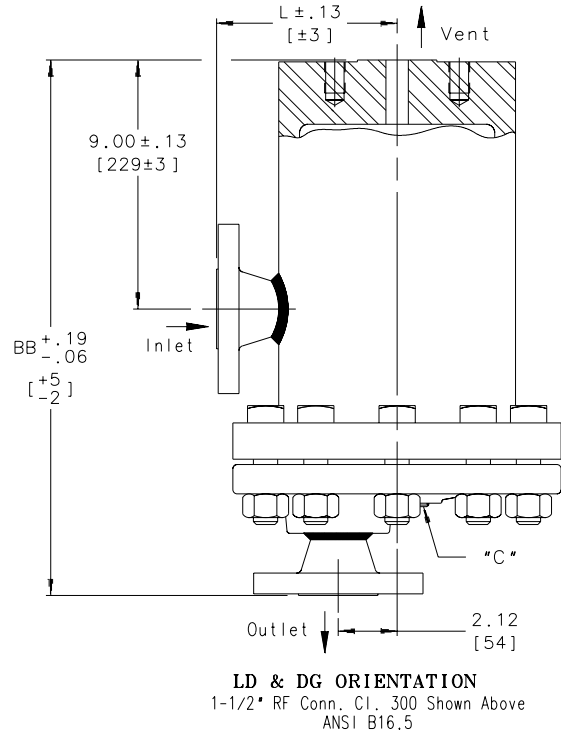
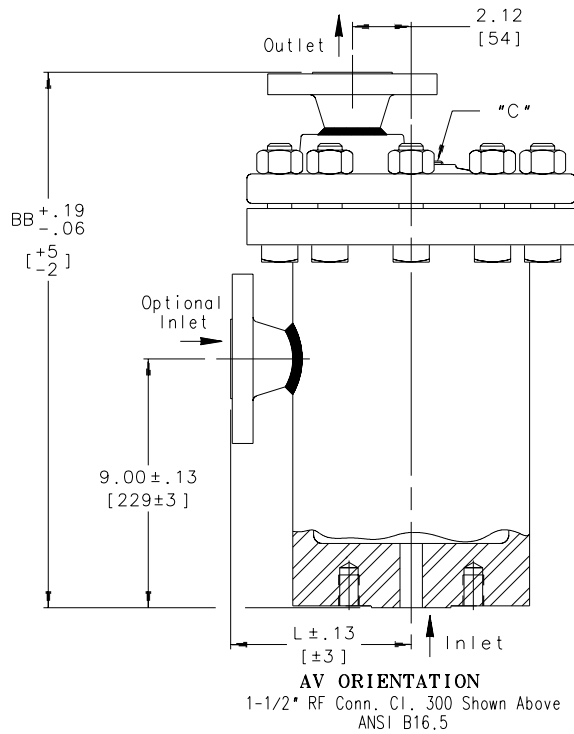
Order:

Project:

Requirements:

By:

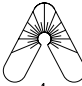
Date:



DESCRIPTION	DIMENSIONS					
	FLANGE CLASS 150		FLANGE CLASS 300		FLANGE CLASS 600	
CONNECTION [DN]	1-1/2" [40]	2" [50]	1-1/2" [40]	2" [50]	1-1/2" [40]	2" [50]
"BB" (FACE TO FACE)	19-3/8 [492]	19-5/16 [491]	19-1/8 [486]	19-1/16 [484]	19-11/16 [500]	
"C" (PIPE PLUG)	1 / 2 " NPT [DN15]					
"L" (Ç OF TRAP TO INLET)	6-7/32 [158]	6-9/32 [160]	6-17/32 [166]	6-19/32 [167]	6-27/32 [174]	6-31/32 [177]
WEIGHT [kgs] ± 2 lb [1 kg]	184 lb [84]		193 lb [88]	195 lb [88.6]	196 lb [89]	201 lb [91]
MAXIMUM ALLOWABLE PRESSURE (VESSEL DESIGN)	285 psig at 100°F [20 bar at 38°C] 230 psig at 300°F [16 bar at 149°C]		740 psig at 100°F [51 bar at 38°C] 410 psig at 800°F [28 bar at 427°C]		1000 psig at 100°F [69 bar at 38°C] 600 psig at 750°F [41 bar at 400°C]	

LIST OF MATERIALS	
CAP & BODY	ASTM A105
GASKET, BODY	GARLOCK, NON-ASBESTOS
BOLT (8)	ASTM A193 GR. B7
NUT (8)	ASTM A194 GR. 2H
SEAT, VALVE	ASTM A582 T440 SS
GUIDE PLATE/ADAPTOR ASS'Y	T304 SS
SCREWS, VALVE GUIDE	18-8 SS
VALVE	ASTM A582 T440 SS
VALVE LEVER/RETAINER	T304 SS
FLOAT	T304 SS

- NOTES:
1. DIMENSIONS ARE IN INCHES [mm]
  2. FLANGE BOLT HOLES STRADDLE Ç



Armstrong International, Inc.  
Three Rivers Division  
Three Rivers, MI 49093  
Armstrong (269) 273-1415 Fax(269) 278-6555  
Posted on Armstrong's homepage [www.armstrong-intl.com](http://www.armstrong-intl.com)

Product	CD No.	Date
TRAP 36 AV/LD/DG RF FLG. A105	1216	8/2/02
		Rev. D