

DIMENSIONS & DATA CERTIFIED FOR:

Representative:

Order:

Customer:

Order:

Project:

Requirements:

By:

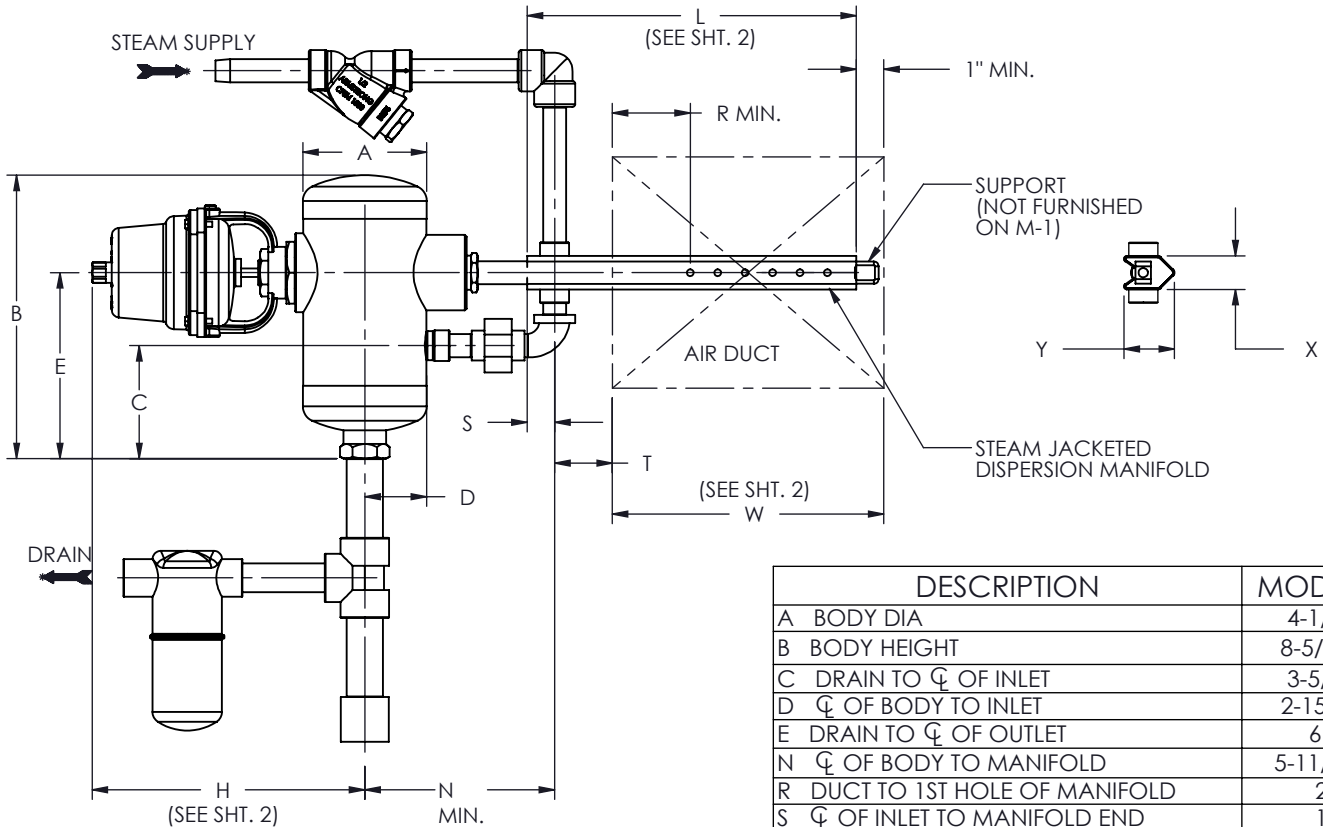
Date:

JOB SPECIFICATION

CAPACITY REQUIRED -	LB/HR [KG/HR]
DUCT DIMENSIONS (H x W) -	
OPERATOR TYPE -	
ORIFICE -	
STEAM PRESSURE SUPPLY -	PSIG [BAR]
MANIFOLD SIZE -	M- QTY. -

LIST OF MATERIALS

NAME OF PART	MATERIAL
STEAM CHAMBER	T316 CF8M STAINLESS STEEL
BONNET ASSY VALVE & STEM VALVE SEAT MANIFOLD & FITTINGS	18-8 STAINLESS STEEL
OPERATOR	SEE SPECIFICS
STRAINER	ASTM 351 CF8M (T316 SS)
IB STEAM TRAP	T304 STAINLESS STEEL



DESCRIPTION	MODEL 1100
A BODY DIA	4-1/8 [105]
B BODY HEIGHT	8-5/16 [211]
C DRAIN TO ϕ OF INLET	3-5/16 [84]
D ϕ OF BODY TO INLET	2-15/32 [63]
E DRAIN TO ϕ OF OUTLET	6 [152]
N ϕ OF BODY TO MANIFOLD	5-11/16 [144]
R DUCT TO 1ST HOLE OF MANIFOLD	2 [51]
S ϕ OF INLET TO MANIFOLD END	1 [25]
T ϕ OF MANIFOLD INLET TO DUCT	1 [25]
X MANIFOLD HEIGHT	1-1/4 [32]
Y MANIFOLD WIDTH	1- 7/8 [48]
BODY INLET CONN. SIZE [DN]	1/2" NPT [15]
BODY DRAIN CONN. SIZE [DN]	1" NPT [25]
IB TRAP CONN. SIZE [DN]	3/4" NPT [20]
STRAINER INLET CONN. SIZE [DN]	1/2" NPT [15]
TRAP MODEL (DRAIN)	1811
WEIGHT, LESS OPR. & MANIFOLD LB [KG]	35 [16]

DIMENSIONS IN INCHES [MM] UNLESS OTHERWISE SHOWN.



Product STEAM HUMIDIFIER, STAINLESS STEEL MODEL 1100	ENGLISH	CD No.	Rev;	Date
	WEB	1115	B	02/24/2014
	Y/N	SHEET 1 OF 2		By; GANESH KUMAR

1	2	3	4	5	6	7	8	9	10	11	12	13	14	15
MODEL 1100 STEAM CAPACITIES RATINGS (OUTPUT LB/HR [KG/HR])														
ORIFICE SIZE	STEAM PRESSURE (PSIG [BAR])													
	2[.14]	4[.28]	6[.41]	8[.54]	10[.68]	12[.82]	15[1.0]	20[1.4]	25[1.7]	30[2.0]	35[2.4]	40[2.7]	50[3.4]	60[4.1]
1/16"	1.3[.6]	2.0[.9]	2.6[1.5]	3.0[1.3]	3.4[2]	3.8[2]	4.4[2]	5.6[2.5]	6.5[3]	7.7[4]	8.4[4]	9.2[4.2]	11[5]	12.3[6]
5/64"	2.1[.95]	3.2[1.5]	4.1[2]	4.8[2.1]	5.4[2.4]	6.0[2.7]	6.7[3]	8.4[4]	10.6[5]	11.2[5]	12.4[6]	13[6]	16[7.2]	19[9]
3/32"	3.0[1.4]	4.6[2.1]	5.8[2.6]	6.8[3]	7.8[4]	8.6[4]	9.6[4.3]	12[5.3]	13.4[6]	14.3[7]	17.2[8]	19.2[9]	22.8[10]	24.4[11]
7/64"	4[2]	6[3]	8[4]	9[4]	10[4.5]	11[5]	13[6]	16[7]	18[8]	19[9]	21[10]	24[11]	28[13]	33[15]
1/8"	5[2]	8[4]	10[5]	12[5]	14[6.3]	15[7]	18[8]	23[10]	25[11]	28[13]	30[14]	33[15]	37[17]	44[20]
5/32"	8[4]	12[5]	16[7]	19[9]	21[10]	23[10]	27[12]	31[14]	36[16]	40[18]	44[20]	48[21]	56[25]	65[29]
3/16"	12[5]	18[8]	23[10]	27[12]	31[14]	35[16]	40[18]	47[21]	52[24]	59[27]	65[29]	70[32]	83[38]	93[42]
7/32"	16[7]	25[11]	32[15]	37[17]	42[19]	47[21]	53[24]	62[28]	70[32]	84[38]	90[41]	98[44]	113[51]	135[61]
1/4"	22[10]	33[15]	42[19]	49[22]	55[25]	62[28]	69[31]	82[37]	91[41]	102[46]	115[52]	125[57]	150[68]	170[77]
9/32"	26[12]	38[17]	47[21]	54[24]	61[28]	67[30]	75[34]	89[40]	102[46]	115[52]	125[57]	140[64]	160[76]	185[84]
5/16"	32[15]	44[20]	55[25]	64[29]	73[33]	82[37]	92[42]	105[48]	123[56]	134[61]	148[67]	167[76]	216[98]	251[114]
11/32"	36[16]	50[23]	66[30]	76[34]	85[39]	94[43]	108[49]	127[58]	147[67]	172[78]	190[86]	209[95]	248[112]	277[126]

MANIFOLD LENGTHS, DUCT WIDTHS & WEIGHTS														
MODEL	M-1	M-1.5	M-2	M-3	M-4	M-5	M-6	M-7	M-8	M-9	M-10	M-11	M-12	
L(LENGTH) [CM]	12[30]	18[46]	24[61]	36[91]	48[122]	60[152]	72[183]	84[213]	96[244]	108[274]	120[305]	132[335]	144[366]	
W(DUCT WIDTH) [CM]	MIN.	8[20]	15[38]	21[53]	31[79]	13[109]	53[135]	65[165]	77[196]	89[226]	101[257]	113[287]	125[318]	137[348]
	MAX.	14[36]	20[51]	30[76]	42[107]	52[132]	64[163]	76[193]	88[224]	100[254]	112[284]	124[315]	136[345]	148[376]
SHIPPING WT. LBS[KGS]	3[1.4]	4[1.8]	5[2.3]	6[2.7]	8[3.6]	10[4.5]	12[5.4]	14[6.4]	15[6.8]	17[7.7]	19[8.6]	21[9.5]	23[10.4]	

PACKAGE INCLUDES	
HUMIDIFIER	
DISTRIBUTION MANIFOLD	
"Y" STRAINER	
IB TRAP	
OPERATOR	AM (PNEUMATIC)
	OR
	EM (ELECTRIC)

OPERATOR SPRING RANGES			
ARMSTRONG C1801		HONEYWELL MP953D	
RANGE, OPERATING	START POINTS, ADJUSTABLE	RANGE, OPERATING	START POINTS, NON-ADJUSTABLE
5 LBS[2.3 KGS]	3 PSIG[.2 BAR]	4 LBS[1.8 KGS]	3 PSIG[.2 BAR]
10 LBS[4.5 KGS]*	MINIMUM	5 LBS[2.3 KGS]	8 PSIG[.54 BAR]
.....	7 LBS[3.2 KGS] *	4 PSIG[.27 BAR]

* STANDARD SPRING FURNISHED WHEN NO SPRING RANGE IS SPECIFIED.

OPTION LIST	
HUMIDISTAT, PNEUMATIC	WALL <input type="checkbox"/>
	DUCT <input type="checkbox"/>
	DUCT (HIGH LIMIT) <input type="checkbox"/>
HUMIDISTAT, ELECTRIC	WALL <input type="checkbox"/>
	DUCT (HIGH LIMIT) <input type="checkbox"/>
SWITCH, TEMPERATURE	PNEUMATIC <input type="checkbox"/>
	ELECTRIC <input type="checkbox"/>
OPERATOR, PNEUMATIC	ARMSTRONG C1801 (AM) <input type="checkbox"/>
	HONEYWELL MP953D (HAM) <input type="checkbox"/>
	HONEYWELL MP953F (HAM) W/PILOT POSITIONER <input type="checkbox"/>
	HONEYWELL M9182A (HEM) 4-20 ma OR 2-10 VDC (CONVERSION BOARD AVAILABLE) <input type="checkbox"/>
OPERATOR, ELECTRIC	BELIMO NVF24 2-10 VDC OR 4-20 ma (BNVEM) <input type="checkbox"/>
	MANIFOLD, INSULATED <input type="checkbox"/>

MADE OF CONTROL	PNEUMATIC MODULATING		ELECTRIC MODULATING		ELECTRIC ON/OFF
	ARMSTRONG C1801	HONEYWELL MP953D	HONEYWELL M9182A	BELIMO NVF24	ASCO
H	9-3/8[238]	8[203]	13[330]	14-9/16[369]	4-3/8[111]
WEIGHT OF OPERATOR	7-3/4[3.5]	6[2.7]	12[5.4]	4.3[1.9]	3/4[.3]

NOTE : COMPLETE IDENTIFICATION INCLUDES : OPERATOR TYPE : (AM, HAM, HEM OR BNVEM) MODEL NO. (1100) AND MANIFOLD LENGTH (EXAMBLE : AM-1100-M4)