

DIMENSIONS & DATA CERTIFIED FOR:

Representative:

Order:

Customer:

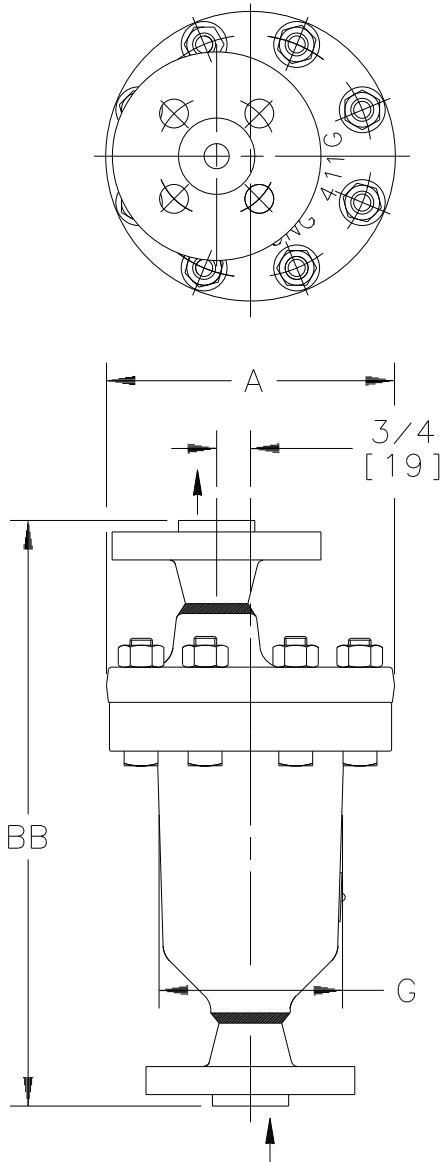
Order:

Project:

Requirements:

By:

Date:



411G-FW

Flange Conn. ANSI B16.5

NOTE: Dimensions Are In Inches & [mm]

LIST OF MATERIALS:

NAME OF PART	MATERIAL
CAP	ASTM A105
BODY	
INLET TUBE	ASTM A53 SCH. 80
GASKET	SPRIAL WOUND STN. STL. NON-ASBESTOS
BOLTS (8)	ASTM A193 GRADE B7
NUTS (8)	ASTM A194 GRADE 2H
VALVE SEAT	TITANIUM
VALVE	
VALVE RETAINER	STAINLESS STEEL
LEVER	
GUIDE PIN ASS'Y	
BUCKET	

TECHNICAL INFORMATION

MODEL NO.	411G-FW		
CONNECTIONS	1/2[DN15], 3/4[DN20]		
"A" (FLANGE, BODY DIA.)	6-1/4[159]		
"BB" ±1/4[6] (HEIGHT FLANGE)	CL. 1/2	600	12-7/8 [327]
	CL. 3/4	900	13 [330]
"G" (BODY OD)	CL. 1/2	900	13-3/8 [340]
	CL. 3/4	900	14 [355]
WEIGHT	39[18kg] ±3[1.4kg]		
OPTIONS:	INTERNAL CHECK VALVE		
	BVSW		

DESIGN INFORMATION

MODEL NO.	MAX. OPER. PRESSURE PSIG [BAR] at SAT. STEAM	MAX. ALLOWABLE PRESSURE (Vessel Design) PSIG [BAR] of Pressure-Containing Parts at Indicated Temp.*F[*C]			
		-20[-29]	700	750	800
411G FW	1000 [69]	650[343]	[371]	[399]	[427]
		1000 [69]	950 [66]	840 [58]	



Product

ENGLISH

CD No.

Date

411G FW

WEB
Y | N
✓

1105

6/6/07

Rev; B sht. 1

By; Paul G.

DIMENSIONS & DATA CERTIFIED FOR:

Representative:

Order:

Customer:

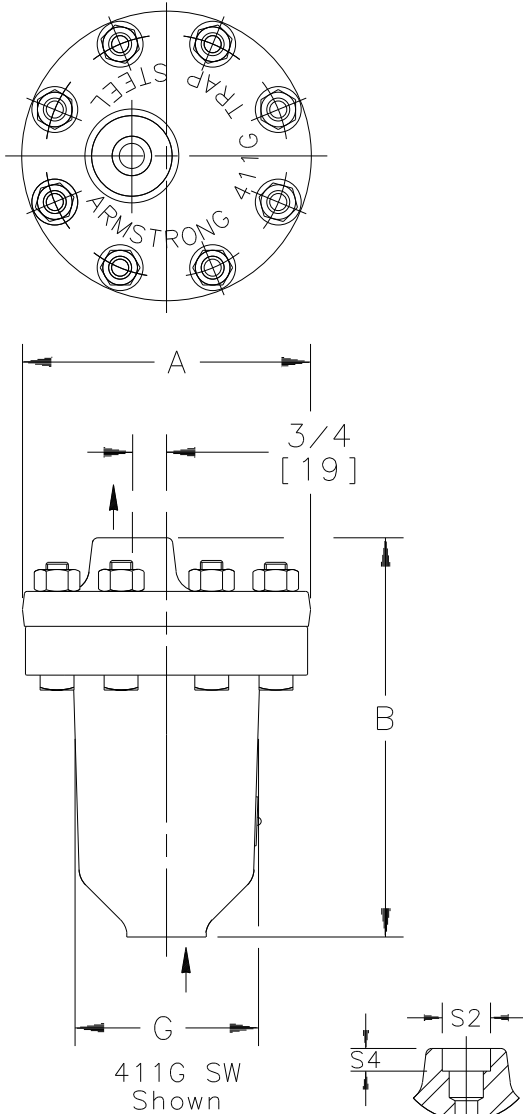
Order:

Project:

Requirements:

By:

Date:



Socket Weld Conn. ANSI B16.11

LIST OF MATERIALS:

NAME OF PART	MATERIAL
CAP	ASTM A105
BODY	
INLET TUBE	ASTM A53 SCH. 80
GASKET	SPRIAL WOUND STN. STL. NON-ASBESTOS
BOLTS (8)	ASTM A193 GRADE B7
NUTS (8)	ASTM A194 GRADE 2H
VALVE SEAT	TITANIUM
VALVE	
VALVE RETAINER	STAINLESS STEEL
LEVER	
GUIDE PIN ASS'Y	
BUCKET	

TECHNICAL INFORMATION

MODEL NO.	411G		
CONNECTIONS	1/2[DN15], 3/4[DN20]		
"A" (FLANGE, BODY DIA.)	6-1/4[159]		
"B" ±1/8[3] HEIGHT	8-7/8 [225]		
"G" (BODY OD)	4-1/16[103]		
WEIGHT	25[11kg] ±3[1.4kg]		
OPTIONS:	INTERNAL CHECK VALVE		
	BVS		
SW PIPE SIZE		S2	S4 MIN.
	1/2[15]	.855[22]	3/8[10]
	3/4[20]	1.065[27.5]	1/2[12]

DESIGN INFORMATION

MODEL NO.	MAX. OPER. PRESSURE PSIG [BAR] at SAT. STEAM	MAX. ALLOWABLE PRESSURE (Vessel Design) PSIG [BAR] of Pressure-Containing Parts at Indicated Temp.°F [°C]			
		-20[-29] 650[343]	700 [371]	750 [399]	800 [427]
411G	1000 [69]	1000 [69]	950 [66]	840 [58]	

NOTE: Dimensions Are In Inches & [mm]



Product

ENGLISH

CD No.

Date

411G
NPT, BSPT & SW

WEB
Y | N
✓

1105

6/6/07

Rev; B sht. 2

By; Paul G.

DIMENSIONS & DATA CERTIFIED FOR:

Representative:

Order:

Customer:

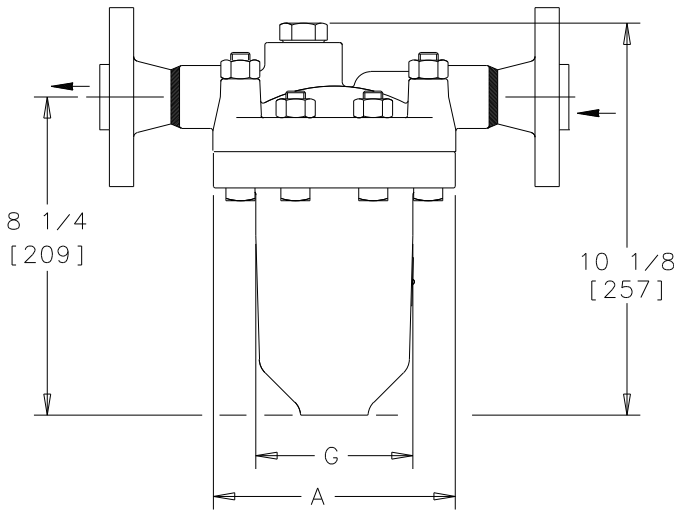
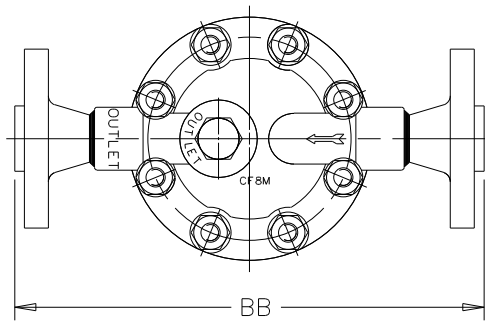
Order:

Project:

Requirements:

By:

Date:



421-FW
Flange Conn. ANSI B16.5

LIST OF MATERIALS:

NAME OF PART	MATERIAL
CAP	ASTM A216 GRADE WCB
BODY	ASTM A105
J TUBE	ASTM A312 T304 SCH. 40
GASKET	SPRIAL WOUND STN. STL. NON-ASBESTOS
BOLTS (8)	ASTM A193 GRADE B7
NUTS (8)	ASTM A194 GRADE 2H
VALVE SEAT	TITANIUM
VALVE	
VALVE RETAINER	STAINLESS STEEL
LEVER	
GUIDE PIN ASS'Y	
BUCKET	

TECHNICAL INFORMATION

MODEL NO.	421-FW
CONNECTIONS	1/2 [DN15], 3/4 [DN20]
"A" (FLANGE, BODY DIA.)	6-1/4 [159]
"BB" ±1/4 [6] (WIDTH FLANGE)	CLASS 1/2 11-13/16 [300]
	600 3/4 12-1/8 [308]
	CLASS 1/2 12-5/8 [321]
	900 3/4 13-1/8 [333]
"G" (BODY OD)	4-1/16 [103]
WEIGHT	42 [19kg] ±3 [1.4kg]
OPTIONS:	INTERNAL CHECK VALVE BVSW

DESIGN INFORMATION

MODEL NO.	MAX. OPER. PRESSURE PSIG [BAR] at SAT. STEAM	MAX. ALLOWABLE PRESSURE (Vessel Design) PSIG [BAR] of Pressure-Containing Parts at Indicated Temp.*F [°C]			
		-20[-29] 650 [343]	700 [371]	750 [399]	800 [427]
421 FW	1000 [69]	1000 [69]	950 [66]	840 [58]	840 [58]



Product

ENGLISH

CD No.

Date

421 FW

WEB
Y/N
✓

1105

12/6/07

Rev; C sht. 3

By; Paul G.

DIMENSIONS & DATA CERTIFIED FOR:

Representative:

Order:

Customer:

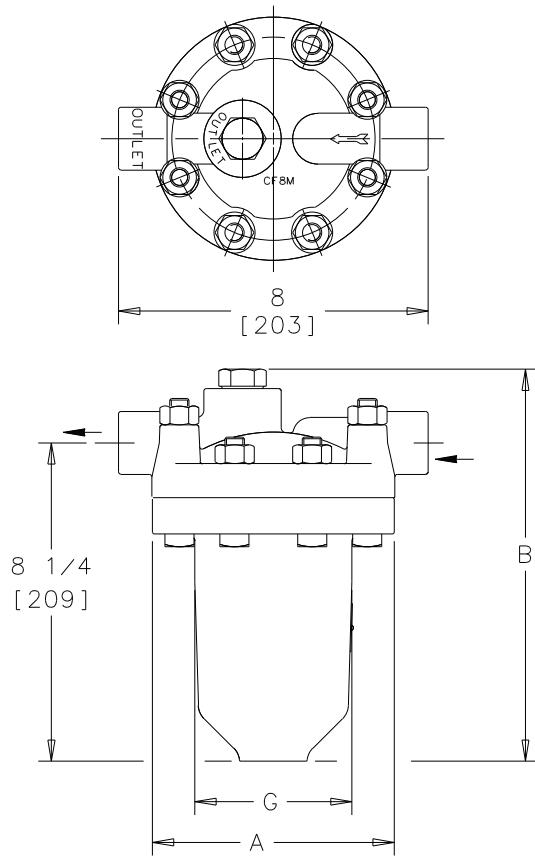
Order:

Project:

Requirements:

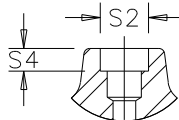
By:

Date:



421 SW
Shown

Socket Weld Conn. ANSI B16.11



LIST OF MATERIALS:

NAME OF PART	MATERIAL
CAP	ASTM A216 GRADE WCB
BODY	ASTM A105
J TUBE	ASTM A312 T304 SCH. 40
GASKET	SPRIAL WOUND STN. STL. NON-ASBESTOS
BOLTS (8)	ASTM A193 GRADE B7
NUTS (8)	ASTM A194 GRADE 2H
VALVE SEAT	TITANIUM
VALVE	
VALVE RETAINER	STAINLESS STEEL
LEVER	
GUIDE PIN ASS'Y	
BUCKET	

TECHNICAL INFORMATION

MODEL NO.	421-FW		
CONNECTIONS	1/2 [DN15], 3/4 [DN20]		
"A" (FLANGE, BODY DIA.)	6-1/4 [159]		
"B" ±1/8[3] HEIGHT	10-1/8 [257]		
"G" (BODY OD)	4-1/16 [103]		
WEIGHT	27.8 [13 kg]		
OPTIONS:	INTERNAL CHECK VALVE		
	BVS		
SW PIPE SIZE		S2	S4 MIN.
	1/2[15]	.855[22]	3/8[10]
	3/4[20]	1.065[27.5]	1/2[12]

DESIGN INFORMATION

MODEL NO.	MAX. OPER. PRESSURE PSIG [BAR] at SAT. STEAM	MAX. ALLOWABLE PRESSURE (Vessel Design) PSIG [BAR] of Pressure-Containing Parts at Indicated Temp. °F [°C]		
		-20[-29] 650[343]	700 [371]	750 [399] 800 [427]
421	1000 [69]	1000 [69]	950 [66]	840 [58]



Product

ENGLISH

CD No.

Date

421
NPT, BSPT & SW

WEB
Y | N
- | ✓

1105

12/6/07

Rev; C sht. 4

By; Paul G.