

DIMENSIONS & DATA CERTIFIED FOR:

Representative:

Order:

Customer:

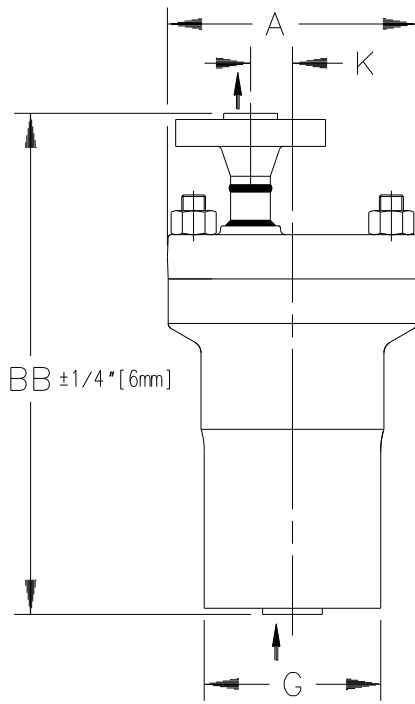
Order:

Project:

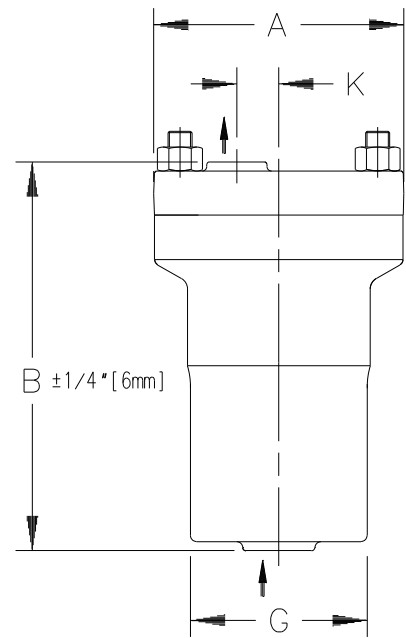
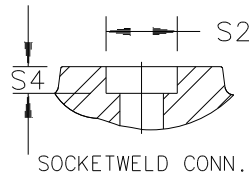
Requirements:

By:

Date:



PIPE SIZE	S2	S4 MIN.
3/4" [DN20]	1.065 [27mm]	
1" [DN25]	1.330 [34mm]	1/2 [13mm]
1-1/4" [DN25]	1.675 [43mm]	



Socket Weld Conn. ANSI B16.11

Flange Conn. ANSI B16.5 Ass'y Shown Above 1-1/4" Conn.

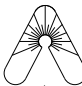
MODEL NO.	MAX. OPER. PRESSURE PSIG [BAR] at SAT. STEAM	MAX. ALLOWABLE PRESSURE (Vessel Design) of Pressure-Containing Parts at Indicated Temp. °F [°C]							
		-20 [-29]	700 [371]	750 [399]	800 [427]	850 [454]	900 [482]	950 [510]	1000 [538]
5155G & FW	1800 [124]	650 [343]	2520 [174]			2370 [163]	2070 [143]	1610 [111]	1110 [77]

MODEL NO.	SW FLANGE	5155G
		5155G-FW
CONNECTIONS		3/4" [20], 1" [DN25], 1-1/4" [DN32]
"A" (FLANGE, BODY DIA.)		10-3/8 [264mm]
"B" (HEIGHT, SW)		16-7/32 [412mm]
"BB" (HEIGHT, CLASS FLANGED)	3/4"	20-13/16 [529mm]
	1" / 1-1/4"	20-15/16 [532mm]
"G" (BODY OD)		7 [178mm]
"K" (Ø OUTLET TO Ø INLET)		1-3/4 [44mm]
WEIGHT [kgs]	SW	166 lb [75]
	3/4" FLANGED	178 lb [81]
	1" FLANGED	184 lb [84]
	1-1/4" FLANGED	187 lb [85]
		±4 lb [2]

LIST OF MATERIALS	
CAP & BODY FORGING	ASTM A182 F22 CLASS 3
INLET TUBE	ASTM A53
INLET TUBE/CHECK VALVE	ASTM A53/ASTM A582 T303
GASKET, BODY	SPIRAL WOUND STN. STL. NON-ASBESTOS
STUDS (10)	ASTM A193 GR. B16
NUTS (10)	ASTM A194 GR. 2H
SEAT, VALVE	ASTM B348 GRADE 5
RETAINER, SEAT	ASTM A351 GR. CF8M
GASKET, SEAT	MONEL
SCREWS, RETAINER	ASTM A193 GR. B7
VALVE	ASTM B348 GRADE 5
LEVER, VALVE	ASTM A167 T304
RETAINER, VALVE	ASTM A240 T304
GUIDE PIN ASSEMBLY	ASTM A580 T316
BUCKET	STN. STL. W/ 316 STN. STL. WEIGHT

OPTIONS		
CONNECTIONS	SOCKET WELD	<input type="checkbox"/>
	FLANGED (RAISED FACE or RING JOINT)	<input type="checkbox"/>
INTERNAL CHECK VALVE		<input type="checkbox"/>

NOTE: DIMENSIONS ARE IN INCHES



Armstrong International, Inc.
Three Rivers Division
Three Rivers, MI 49093
Armstrong (269) 273-1415 Fax(269) 278-6555
Posted on Armstrong's homepage www.armstrong-intl.com

Product	CD No.	Date
TRAP		7/9/97
5155G & FW SERIES SOCKET WELD & FLANGED	1096	Rev. C