

DIMENSIONS & DATA CERTIFIED FOR:

Representative:

Order:

Customer:

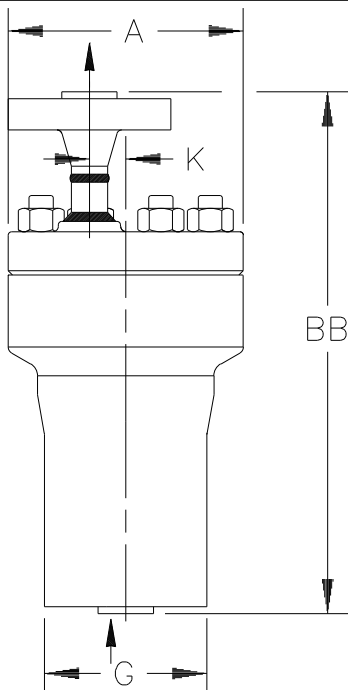
Order:

Project:

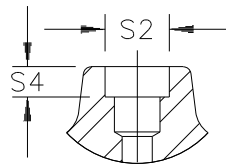
Requirements:

By:

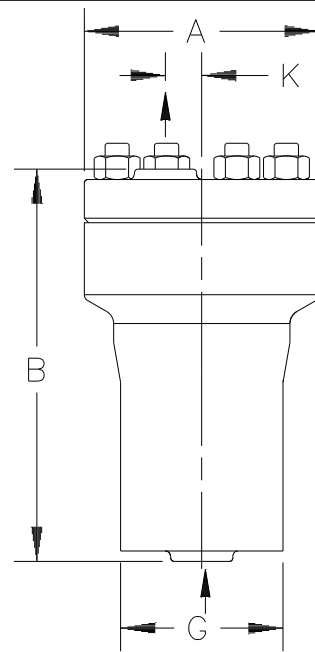
Date:



PIPE SIZE	S2	S4 MIN.
1/2" [DN15]	.855 [22]	3/8 [10]
3/4" [DN20]	1.065 [27.5]	1/2 [12]
1" [DN25]	1.330 [34]	



SOCKETWELD CONN.



Socket Weld Conn. ANSI B16.11

Flange Conn. ANSI B16.5 Dimensions B & BB ±1/4" [6mm]

MODEL NO.	MAX. OPER. PRESSURE PSIG [BAR] at SAT. STEAM	MAX. ALLOWABLE PRESSURE (Vessel Design) PSIG [BAR] of Pressure-Containing Parts at Indicated Temp. *F[*C]							
		-20[-29]	700	750	800	850	900	950	1000
5133G	1500 [103.5]	650 [343]	[371]	[399]	[427]	[454]	[482]	[510]	[538]
		2120 [146]				1990 [137]	1730 [119]	1350 [93]	930 [64]

MODEL NO.	NPT, BS, SW FLANGE	5133G
		5133G-FW
CONNECTIONS		1/2" [DN15], 3/4" [DN20], 1" [DN25]
"A" (FLANGE, BODY DIA.)		8-1/2 [216]
"B" (HEIGHT, NPT, BS & SW)		14-1/4 [362]
"BB" (HEIGHT, FLANGED)	CLASS 600	1/2" 18-3/16 [462]
		3/4" 18-1/4 [464]
	CLASS 900/1500	1" 18-7/16 [468]
		1/2" 18-1/2 [470]
		3/4" 18-3/4 [476]
		1" 18-7/8 [479]
"G" (BODY OD)		5-3/4 [146]
"K" (Ø OUTLET TO Ø INLET)		1-5/16 [33]
WEIGHT NPT, BS & SW		113 [51kg]
WEIGHT, FLANGED		120lb [55kg] ±4lb [2kg]

NOTE: Dimensions Are In Inches [mm]

LIST OF MATERIALS	
CAP & BODY FORGING	ASTM A182 F22 CLASS 3
INLET TUBE	ASTM A53
INLET TUBE/CHECK VALVE	ASTM A53/ASTM A582 T303
GASKET, BODY	SPIRAL WOUND STN. STL. NON-ASBESTOS
STUDS (8)	ASTM A193 GR. B16
NUTS (8)	ASTM A194 GR. 2H
SEAT, VALVE	ASTM B348 GRADE 5
RETAINER, SEAT	ASTM A351 GR. CF8M
GASKET, SEAT	MONEL
SCREWS, RETAINER	ASTM A193 GR. B7
VALVE	ASTM B348 GRADE 5
LEVER, VALVE	ASTM A167 T304
RETAINER, VALVE	ASTM A240 T304
GUIDE PIN ASSEMBLY	ASTM A580 T316
BUCKET	STN. STL. W/ 316 STN. STL. WEIGHT

OPTIONS:

CONNECTIONS	<input type="checkbox"/> SOCKET WELD	<input type="checkbox"/>
	<input type="checkbox"/> NPT	
	<input type="checkbox"/> BS	
	<input type="checkbox"/> FLANGED (RAISED FACE or RING JOINT)	
INTERNAL CHECK VALVE	<input type="checkbox"/>	<input type="checkbox"/>



Armstrong International, Inc.
Three Rivers Division
Three Rivers, MI 49093

Armstrong (269) 273-1415 Fax (269) 278-6555
Posted on Armstrong's homepage www.armstrong-intl.com

Product	CD No.	Date
TRAP 5133G & FW SERIES SCREWED, SOCKET WELD & FLANGED	1069	10/22/96
		Rev. C