

DIMENSIONS & DATA CERTIFIED FOR:

Representative:

Order:

Customer:

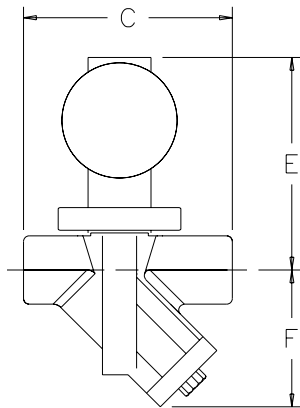
Order:

Project:

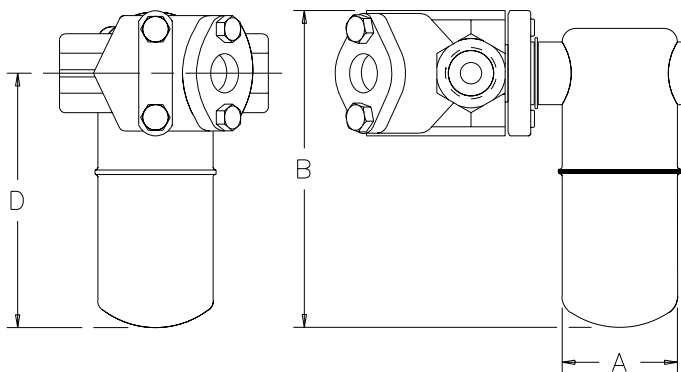
Requirements:

By:

Date:

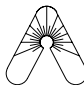


NAME OF PART	MATERIAL
TRAP BODY	304-L Stainless Steel
CONNECTIONS	304 Stainless Steel
VALVE SEAT	Stainless Steel
VALVE	Stainless Steel
VALVE RETAINER	Stainless Steel
LEVER	Stainless Steel
GUIDE PIN ASSEMBLY	Stainless Steel
BUCKET	Stainless Steel
CONNECTOR BODY	316 Stainless Steel
CONNECTOR GASKET	304 Stainless Steel Non-asbestos
RETAINING RING	Carbon Steel
FLANGE	Carbon Steel
FLANGE RETAINER	304 Stainless Steel
SCREEN	304 Stainless Steel 20 X 20 Mesh
SCREEN RETAINER	316 Stainless Steel
RETAINER GASKET	304 Stainless Steel Non-asbestos
RETAINER BOLTS	ASTM A193, GR. B-7
TRAP MOUNTING BOLTS	ASTM A193, GR. B-7



MODEL NO.	2010 <input type="checkbox"/>	2011 <input type="checkbox"/>
PIPE CONNECTIONS	1/2, 3/4	1/2, 3/4
A (DIAMETER)	2-11/16	2-11/16
B (HEIGHT)	6	6-15/16
C (FACE-TO-FACE)	4-19/32	4-19/32
D (BOTTOM TO ϕ)	4-19/32	5-9/16
E (ϕ TO OUTSIDE)	4-11/16	4-11/16
F (ϕ TO RETAINER)	3	3
WEIGHT (LBS.)	7-1/4	7
MAXIMUM ALLOWABLE PRESSURE (VESSEL DESIGN)	400 psig AT 800°F	400 psig AT 800°F
MAX. OPERATING PRESSURE (psi)	200	400

NOTE: 1) DIMENSIONS ARE IN INCHES
2) BLOWDOWN OPTIONS ARE 1/2 SW OR 3/8 NPT



Armstrong International, Inc.
Three Rivers Division
Three Rivers, MI 49093
Armstrong (616) 273-1415 Fax (616) 278-6555

Product	CD No.	Date
2010-IS	1026	12/27/94
2011-IS		Rev. A