

DIMENSIONS & DATA CERTIFIED FOR:

Representative:

Order:

Customer:

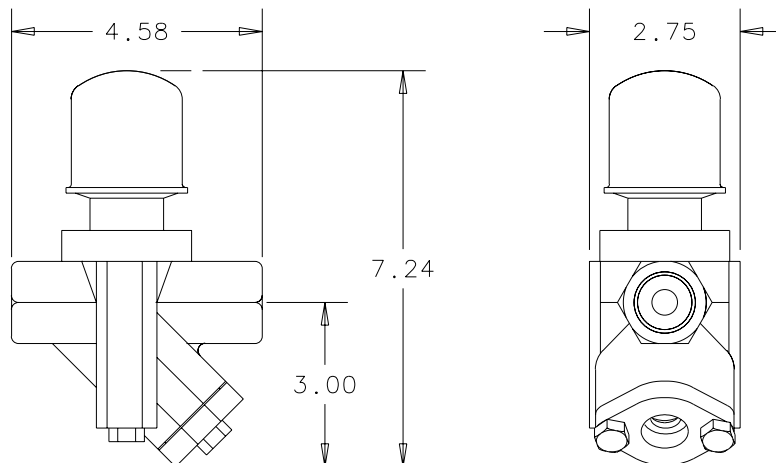
Order:

Project:

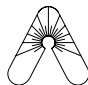
Requirements:

By:

Date:



NAME OF PART	MATERIAL
TRAP BODY	304-L Stainless Steel
CONNECTOR	316 Stainless Steel
BELLOWS, TT-2000-IS	Stainless Steel and bronze with phosphor-bronze bellows, entire unit caged in stainless steel.
Bellows Gasket	Copper clad non-asbestos
CAPSULE: WT-2000-IS	
Wafer	Hastelloy
Body	303 Stainless Steel
Cap	303 Stainless Steel
Connector	304 Stainless Steel
Connector Gasket	Spiral Wound Stainless Steel Non-asbestos
CAPSULE: CD-2000-IS	
Controlled Chamber	Hardened Stainless Steel
Controlled disc	Hardened Stainless Steel
Capsule Body	Hardened Stainless Steel

 Armstrong International, Inc. Three Rivers Division Three Rivers, MI 49093 (616) 273-1415 Fax(616) 278-6555 Posted on Armstrong's homepage www.armstrong-intl.com		
Product	CD No.	Date
TT-2000-IS WT-2000-IS CD-2000-IS	1019	12/02/94
		Rev. A