

# DIMENSIONS & DATA CERTIFIED FOR:

Representative:

Order:

Customer:

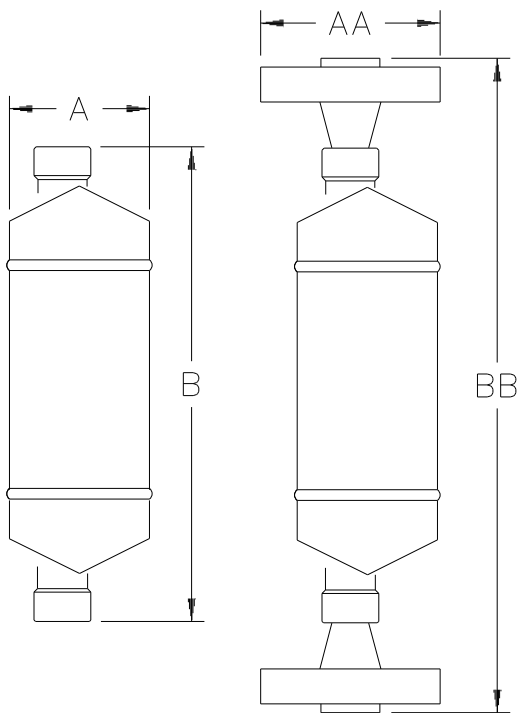
Order:

Project:

Requirements:

By:

Date:



LIST OF MATERIALS	
PART NAME	MATERIAL
Connections	316L Stainless Steel ASTM A479
Body	316L Stainless Steel ASTM A312 Sch. 80 Pipe
Valve Seat	Titanium
Valve	
Valve Retainer	302 Stainless Steel ASTM A167
Lever	20 Cb-3 Stainless Steel
Guide Screw	303 Stainless Steel ASTM A580
Bucket	304 Stainless Steel ASTM A167
Bulkhead	304L Stainless Steel ASTM A167
Feed Tubes	304 Stainless Steel ASTM A312
Cup	18-8 Stainless Steel

### PHYSICAL DATA

Pipe Connections (Socketweld, Flanged)	1/2[DN15]	3/4[DN20]
"A" (Diameter) SW	4 [102]	
"AA" (Diameter) Flanged	4-3/4[121]	5-1/8[130]
"B" (Height) SW	13-9/16[344]	
"BB" (Height) Flanged	18-3/16[462]	18-11/16[475]
Weight (SW)	15 lb[7 kgs]	
Weight (Flanged)	29 lb[13 kgs]	
Maximum Allowable Pressure (Vessel Design)	1540 psig [105 bar at 850°F	at 454°C]
Maximum Operating Pressure	1540 psi	[105 bar]

Note:

Dimensions are in inches [mm]  
Flanges Shown Above Class 900/1500



**Armstrong**

Armstrong International, Inc.  
Three Rivers Division  
Three Rivers, MI 49093

(269) 273-1415 Fax(269) 278-6555  
Posted on Armstrong's homepage [www.armstrong-intl.com](http://www.armstrong-intl.com)

Product	CD No.	Date
501-SH STEAM TRAP	1012	6/19/06
		Rev. C