



Vortex Bubbler
For Ammonia Systems

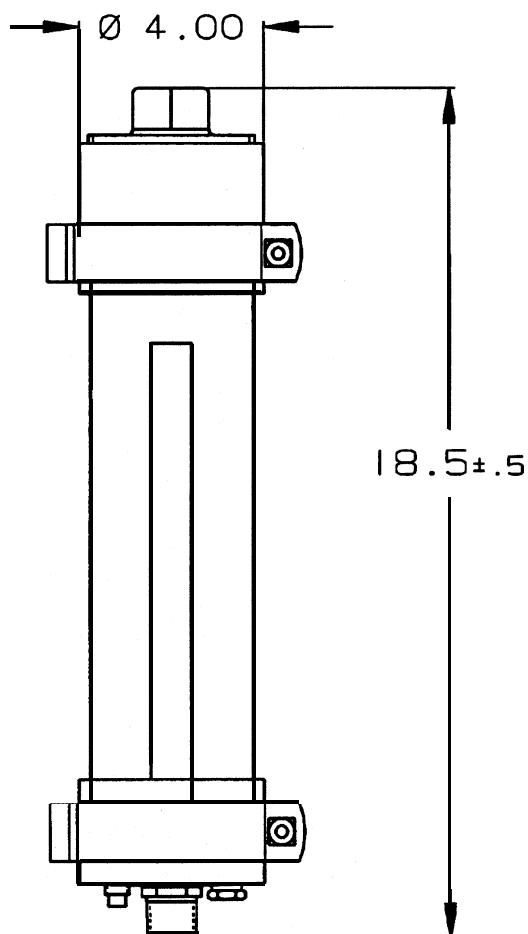
Vortex Bubbler For Ammonia Systems

Features

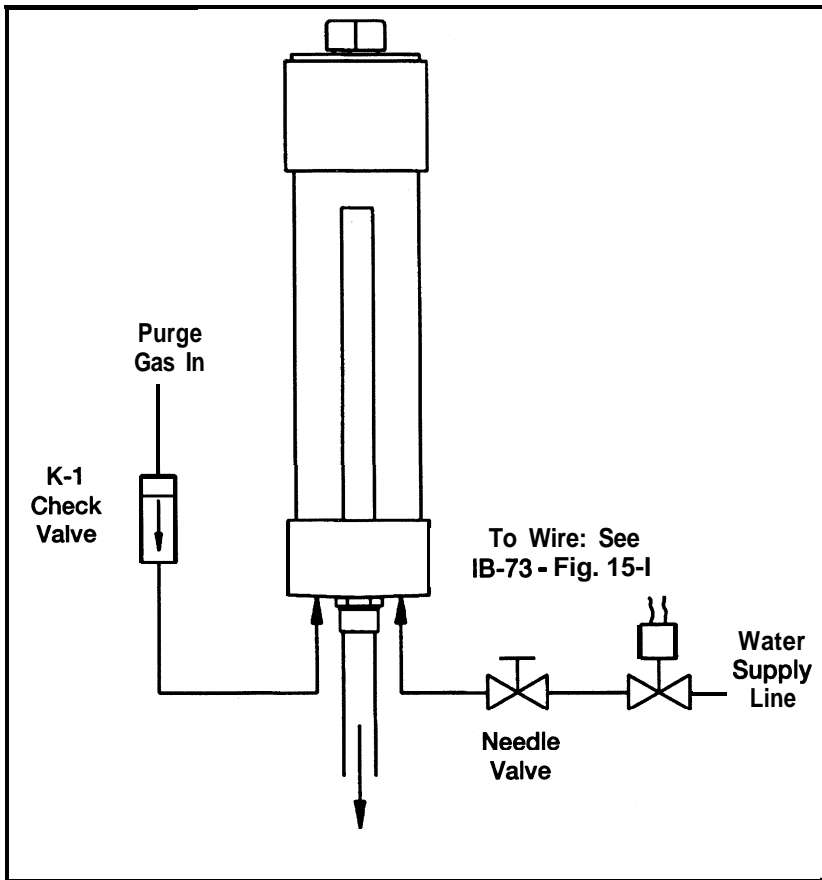
- Automatic Flush For Ammonia Purgers
- Easy To Install
- Simple Operation

Vortex Bubbler Includes:

- Bubbler Assembly
- K-I Check Valve
- 1/4" 120 VAC Solenoid
- 1/4" Needle Valves
- Mounting Brackets



Armstrong



Installation

- Using the mounting brackets provided, securely mount the bubbler to a wall or support column.
- Using 1/4" pipe, install the K-1 check valve into the purge line coming from the purger. Then pipe from the K-1 into the bubbler purge gas inlet connection.
- Using 1/4" pipe, install the water fill solenoid valve (120VAC) into the water supply line leading to the bubbler. Then pipe from the solenoid valve to the water fill connection.
- Using 3/4" pipe, pipe the overflow connection to the drain. An open drain may be required by local codes.
- Open needle valve to 1/4 to 1/2 turn to throttle water flow.

Electrical

- Wire the water fill solenoid to the purger controller (See IB-73, Fig. 15-1, Bubbler Water Solenoid).

Start-Up

- Remove the bubbler cap, fill with approximately 1 quart of water or until water reaches the top of the overflow tube. Replace the cap.
- The bubbler is now ready for operation.

Disassembly For Cleaning

- The top cap of the bubbler is secured to the acrylic tube using glue. To clean, remove the pipe plug at the top of the cap and use a long brush to scrub the interior of the bubbler. To reassemble, screw the pipe plug into the cap of the bubbler and do not over tighten.



Armstrong International, Inc.

816 Maple Street, Three Rivers, Michigan 49093/ Phone: (616) 273-1415 / Fax: (616) 278-6555

Parc Industriel Des Hauts-Sarts, B-4040 Herstal/Liege, Belgium Phone: (041) 480152