



14th Floor, Centre Tower
3300 Bloor Street West
Toronto, Ontario
Canada M8X 2X4
Tel.: 416.734.3300
Fax: 416.231.1626
Toll Free: 1.877.682.8772

www.tssa.org

January 09, 2012

MATT MCNAMARA
ARMSTRONG INTERNATIONAL
816 MAPLE ST
THREE RIVERS MI 49093
US

Service Request Type.: BPV-National AB
Service Request No.: 684782
Your Reference No.: CAT H FITTING- PUMP TRAP-PT-104

Dear MATT MCNAMARA,

Please find enclosed the original response from AB, registered under the CRN No.: 0H14860.52.

As all jurisdictional fees are handled by the Technical Standards and Safety Authority (TSSA), you do not pay any jurisdictions directly. However, once your design has been successfully registered in all of the requested jurisdictions, you may receive an invoice from TSSA for any outstanding jurisdictional fees.

Should you have any questions or require further assistance, I will be happy to assist you. For general enquiries, please contact a Customer Service Advisor at 1.877.682.TSSA (8772) or e-mail customerservices@tssa.org. When contacting TSSA regarding this file, please refer to the Service Request number provided above.

Yours truly,

Tanya Francis
Administrative Assistant_ BPV Engineering
Tel. : 416-734-3423
Fax : 416-231-6183
Email : tfrancis@tssa.org



the pressure equipment safety authority

9410 - 20 Ave N.W.
Edmonton, Alberta, Canada T6N 0A4
Tel: (780) 437-9100 / Fax: (780) 437-7787

December 05, 2011

Farhiya Noor
TECHNICAL STANDARDS & SAFETY AUTHORITY
3300 BLOOR STREET WEST
14 FLOOR CENTRE TOWER
TORONTO, ON M8X 2X4

Dear Farhiya Noor,

The design submission, tracking number 2011-07403, originally received on November 14, 2011 was surveyed and accepted for registration as follows:

CRN :	0H14860.52	Accepted on:	December 05, 2011
Reg Type :	New Design	Expiry Date:	October 28, 2021
Drawing No. :	PT-104 Rev B As Noted		
Fitting Desc:	PUMP TRAP		

Design registered in the name of : ARMSTRONG INTERNATIONAL INC

Description	MAWP	Design Temperature	MDMT
Internal Pressure	621 kPa	208 ^o C	-29 ^o C

The registration is conditional on your compliance with the following notes:

This registration is valid until the indicated expiry date only if the Manufacturer maintains a valid quality management system approved by an acceptable third-party agency until that date. Should the approval of the quality management system lapse before the expiry date indicated above, this registration shall become void.

- Registered with the understanding that the MAWP is 90 psig @-20/406F.
- Not for use above ground within units in hydrocarbon or other flammable fluid service, at temperatures greater than 400F.
- Materials of construction are A48-CL30 for the body and SA-449 for the bolting.
- The drawing shall be revised in accordance with the above notes.

An invoice covering survey and registration fees will be forwarded from our Revenue Accounts.

Enclosed are stamped prints for your reference.

Sincerely,

STERLING, CAMERON, P. Eng.
Design Survey Engineer



STATUTORY DECLARATION
Registration of Fittings

In this space, show facsimile of manufacturer's logo or trademark as it will appear on the fitting.

I, Andy Schirk,
Quality Assurance Manager
(company title, e.g. vice president, plant manager, chief engineer) (must be in a position of authority)
of Armstrong International Inc
(name of manufacturer)

located at 816 Maple St, Three Rivers, MI 49093
(plant address)

do solemnly declare that the fittings listed hereunder, which are subject to the Safety Codes Act (check one)

- comply with the requirements of ASME B31.3 which specifies the dimensions, (title of recognized North American Standard) materials of construction, pressure/temperature ratings and identification marking of the fittings, or
- are not covered by the provisions of a recognized North American standard and are therefore manufactured to comply with _____ as supported by the attached data which identifies the dimensions, materials of construction, pressure/temperature ratings and the basis for such ratings, and the marking of the fittings for identification.

I further declare that the manufacture of these fittings is controlled by a quality control program which has been verified by the following authority, HSB Resgistration Services as being suitable for the manufacture of these fittings to the stated standard. The fittings covered by this declaration, for which I seek registration, are PT-104

In support of this application, the following information, calculations and/or test data are attached:
cdf1028 assembly, fh1368 rough (body/cap), fh1400 body machined, fh1401 cap machined, burst test calculation, tensile test report, burst test report

DECLARED before me at Three Rivers, MI in the County of St. Joseph
this 1st day of August, 2011
(print) ROBERTA M. RYAN Notary Public, St. Joseph County, MI
My Commission Expires Sept. 13, 2011
(sign) Roberta M. Ryan (A Commissioner for Oaths)
Andy Schirk (Signature of Applicant)



For Office Use Only

To the best of my knowledge and belief, the application meets the requirements of the Safety Codes Act and B51, Clause 4.2, and is accepted for registration in Category 'H' PUMP TRAP
Registration Number: 0414860.52
Date Registered: 05 DEC 2011
(For the Administrator/Chief Inspector of Alberta) Expiry Date: 28 Oct 2021

DIMENSIONS & DATA CERTIFIED FOR:

Representative:

Order:

Customer:

Order:

Project:

Requirements:

SAFETY CODES ACT - PROVINCE OF ALBERTA

REGISTRATION OF FITTINGS

REGISTRATION NO. DH14860.52

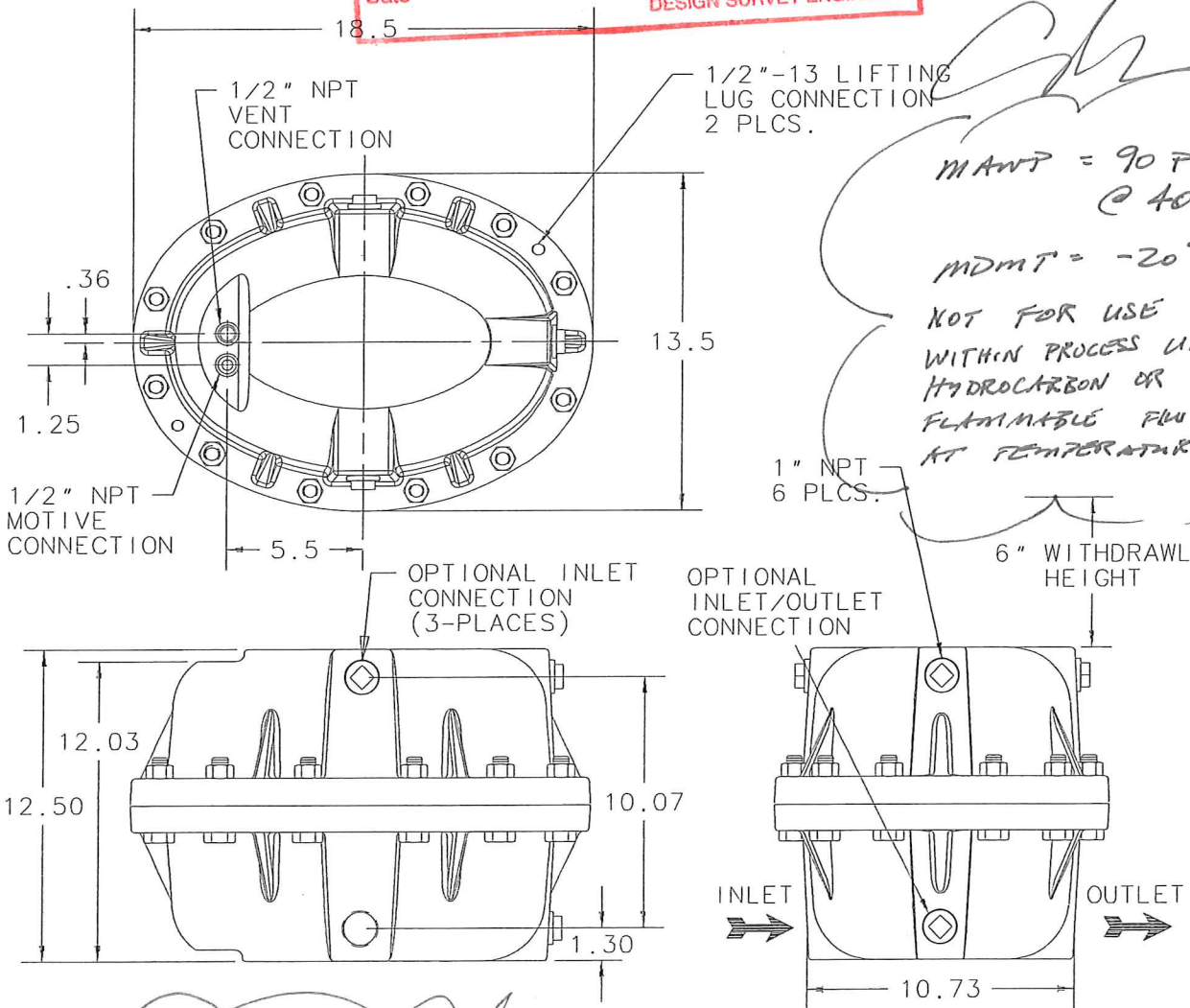
DWG. NO. or CAT. NO. PT-104 REV B

TYPE OF FITTINGS H-PUMP TRAP

Date 05/22/11 INITIALS [Signature] By [Signature]
CAMERON STERLING, P.Eng.
DESIGN SURVEY ENGINEER

AS NOTED PER ACCEPTANCE LTR

Date:

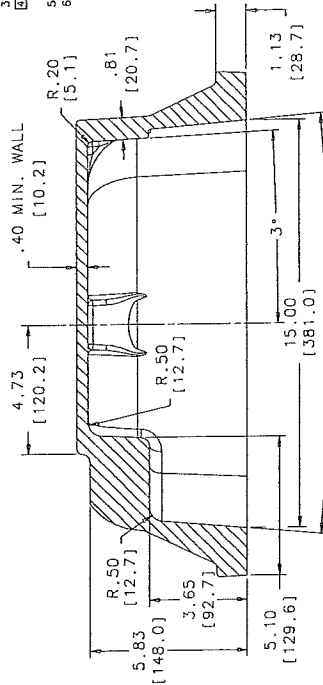
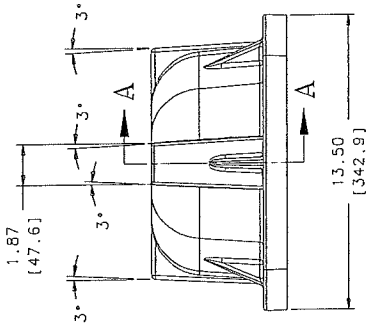
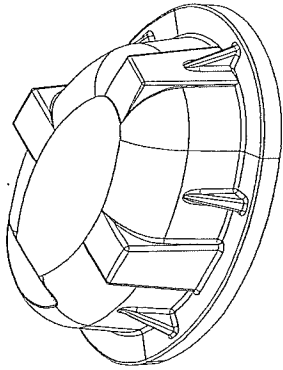
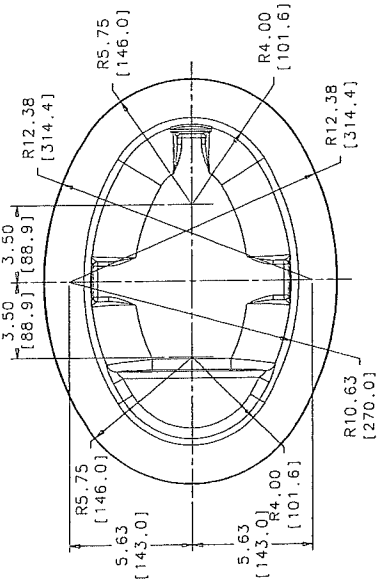
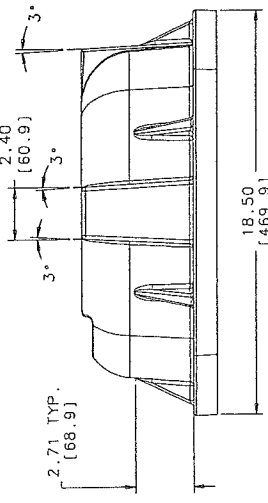
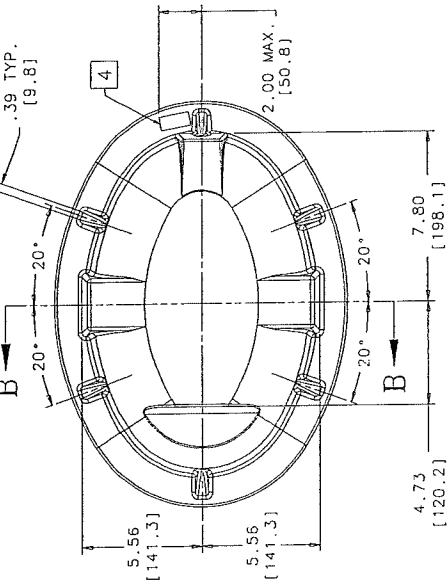


MAINT = 90 PSIG @ 406 F
MDMT = -20 F
NOT FOR USE ABOVE GROUND WITHIN PROCESS UNITS IN HYDROCARBON OR OTHER FLAMMABLE FLUID SERVICE AT TEMPERATURES > 400 F

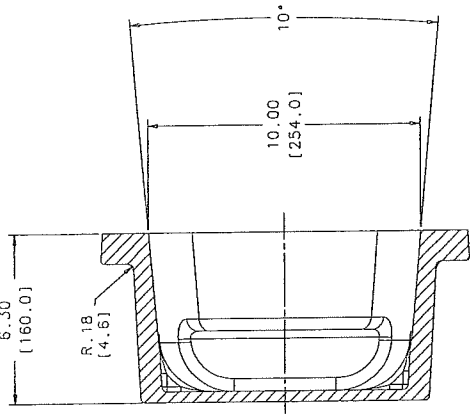
MATERIALS:
 BODY: A48-C130
 BOLTING: SA 449

Armstrong Fluid Handling, Inc. Three Rivers, MI. 49093 Telephone (269) 278-6500 Fax (269) 279-3150		
Product	CDF No.	Date
PUMP TRAP PT-104	CDF 1028	10/9/02
		Rev. B

REVISIONS		
REV.	DESCRIPTION	DATE
A	RELEASED	05/11/97
B	UPDATE TO GLOBAL STANDARD 0212/93	04/21/97



SECTION A-A

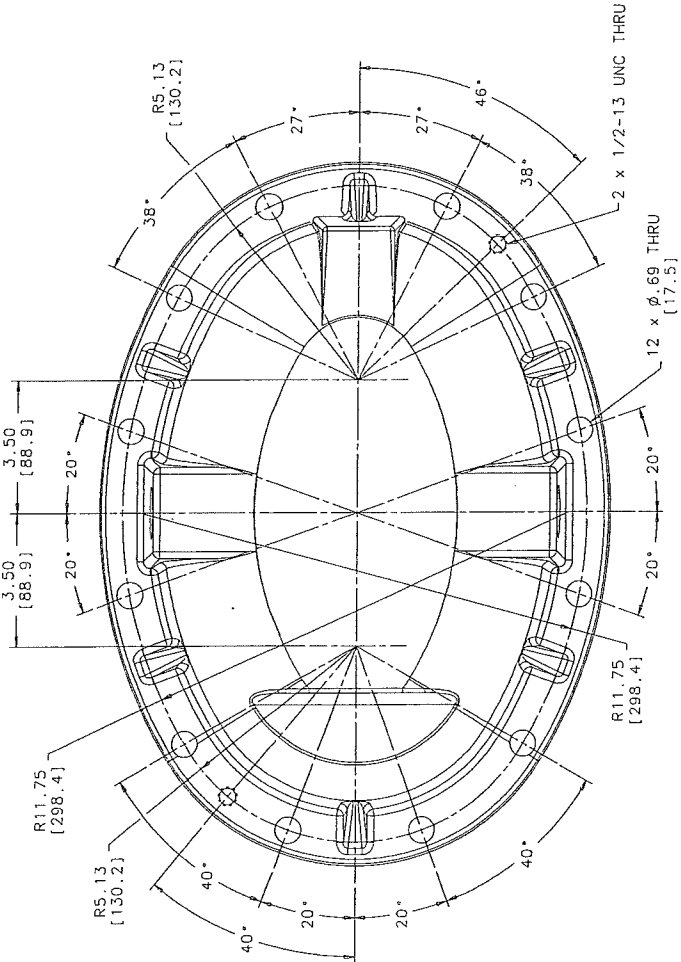
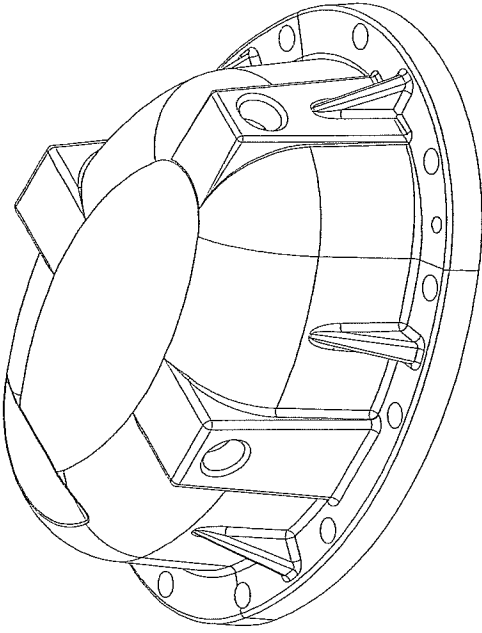


SECTION B-B

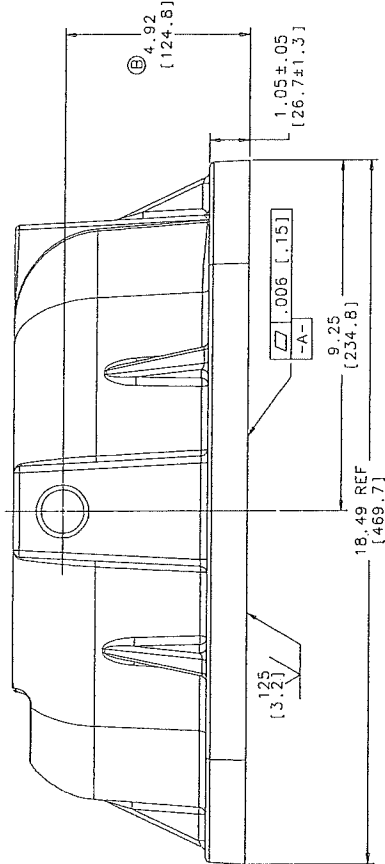
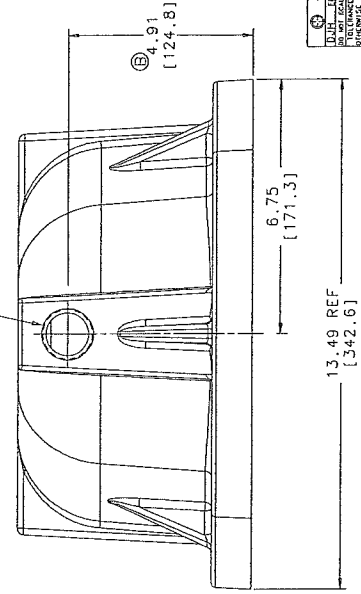
- NOTES:
1. UNLESS OTHERWISE SPECIFIED ALL CORNERS & FILLETS TO BE R. .12 [3.1]
 2. MAX DRAFT 6°
 3. PATTERN NO. FH1368
 4. LOCATION OF DATE STAMP, PATTERN NO. & FOUNDRY IDENTIFICATION, EITHER SIDE OF RIB.
 5. APPROX. CASTING WT. 62 LBS. (28 KG). APPROX. VOLUME 247 CU/IN. (4048 CU/CM)
 6. UNLESS OTHERWISE SPECIFIED CASTING DIMENSION ±.05 [1.5]

	D.H. ENGLISH ARMSTRONG INTERNATIONAL, INC. 1000 S. SMITH ST. P.O. BOX 308 CLACKAMAS, OR 97015 U.S.A.
DRAWING NO. REV.	0414860 3
PART NO.	MINIJUMP TRAP
QUANTITY	308
DATE	10/14/97
SHEET NO.	1

SYM	DESCRIPTION	QTY	BY DATE
A	RELEASED	1	7/1/88
B	WAS 5.09	1	7/1/88
C	1) FH1400 WAS FH1400-1	1	7/1/88
	2) FH1400-1 WAS FH1400-2	1	7/1/88
D	UPDATE TO GLOBAL STANDARD	1	12/20/21



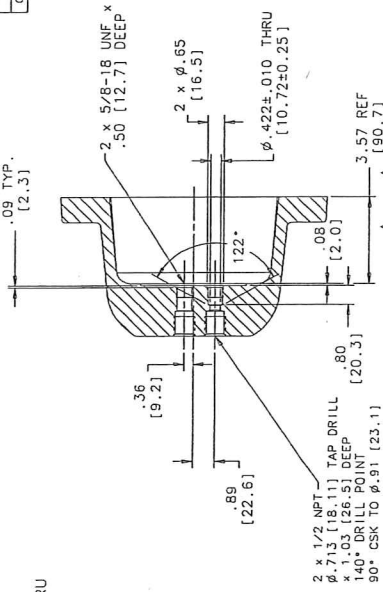
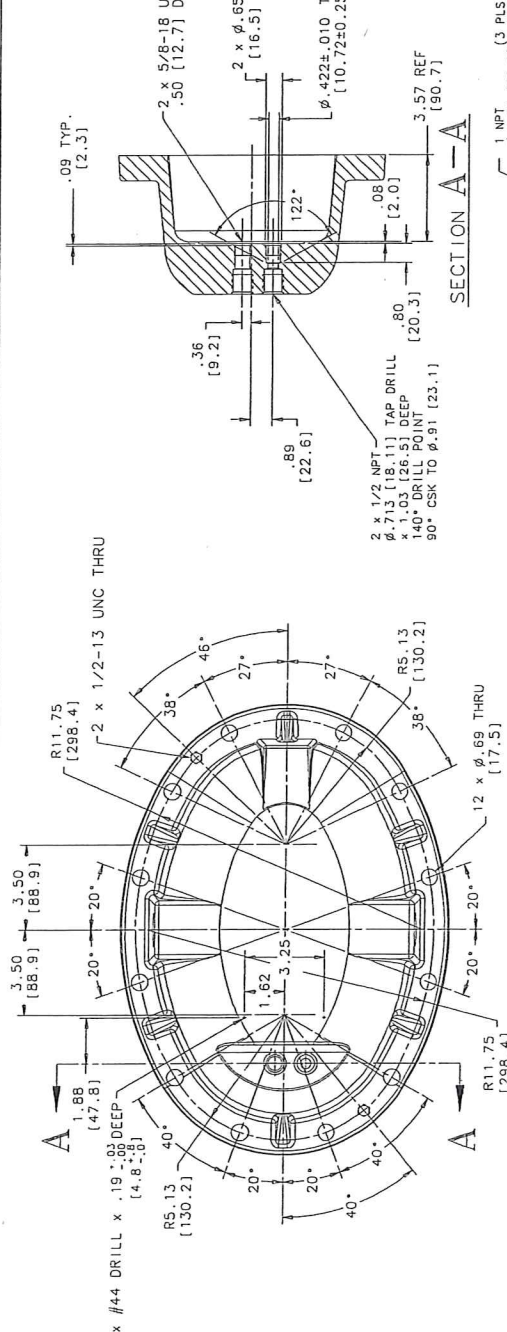
1" NPT (3 PLACES)
 ϕ 1.14 [28.9] x 1.25 [31.8] DP
 90° CSK TO ϕ 1.37 [34.8]



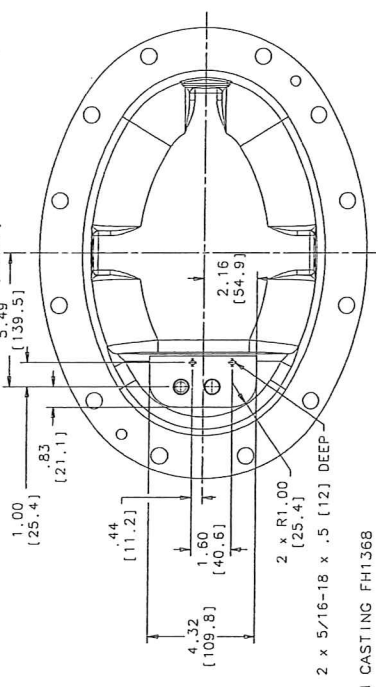
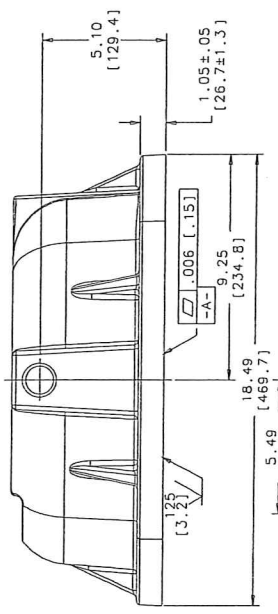
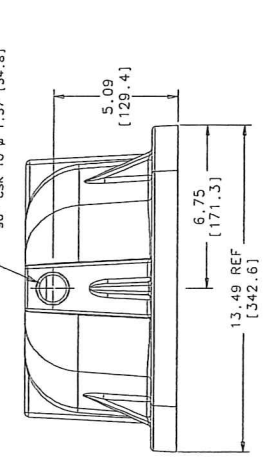
NOTE:
 1. MAKE FROM CASTING FH1368

GRAPHICALS ARE USA BASED	GRAPHICALS ARE USA BASED
UNIT: INCH	UNIT: INCH
SCALE: AS SHOWN	SCALE: AS SHOWN
DATE: 10/20/21	DATE: 10/20/21
DRAWN BY: [Signature]	DRAWN BY: [Signature]
CHECKED BY: [Signature]	CHECKED BY: [Signature]
APPROVED BY: [Signature]	APPROVED BY: [Signature]
PART NO: FH1400	PART NO: FH1400
REV: 1	REV: 1
SHEET 1	SHEET 1
TOTAL SHEETS: 1	TOTAL SHEETS: 1
DATE: 10/20/21	DATE: 10/20/21
BY: [Signature]	BY: [Signature]
FOR: [Signature]	FOR: [Signature]

REV	DESCRIPTION	DATE	BY
A	RELEASED	01/10/09	4/25/09
B	1) FHI401 WAS FHI401-1 2) FHI401-1 WAS FHI401-2	01/03/07	01/03/07
C	UPDATE TO CORRE STANDARD	02/17/03	02/17/03



SECTION A-A



NOTE:
1. MAKE FROM CASTING FHI368

DRAWN BY: S. SMITH		CHECKED BY: J. B. HAYES		DATE: 10/20/07	
MATERIAL: CAST IRON		FINISH: NPT		SHEET: 1	
CAP P1104		MINI PUMP TRAP		PART NO: FHI401	
ARMASTRONG INTERNATIONAL, INC. 3555 W. 130th Street, Cleveland, OH 44130-3110, USA TEL: (216) 232-3300, FAX: (216) 232-3301, WWW: ARMASTRONG.COM					